



2.0mm
Starter Drill
122-103

Drill Extender
122-100



2.5 x 7mm
Depth Drill
122-12507

2.5 x 9mm
Depth Drill
122-12509

2.5 x 10.5mm
Depth Drill
122-125105

2.5 x 12mm
Depth Drill
122-12512

2.5 x 15mm
Depth Drill
122-12515

2.5mm
Depth Drill
(without Depth Stop)
122-225



3.0mm Width
Increasing Drill
122-230

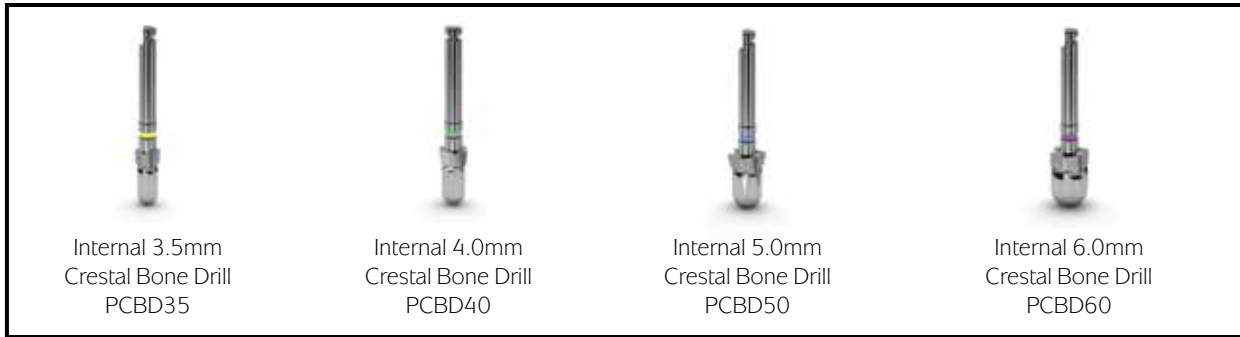
3.4mm Width
Increasing Drill
122-232

3.9mm Width
Increasing Drill
122-237

4.4mm Width
Increasing Drill
122-242

4.9mm Width
Increasing Drill
122-247

5.4mm Width
Increasing Drill
122-252



Internal 3.5mm
Crestal Bone Drill
PCBD35

Internal 4.0mm
Crestal Bone Drill
PCBD40

Internal 5.0mm
Crestal Bone Drill
PCBD50

Internal 6.0mm
Crestal Bone Drill
PCBD60



3.5mm Bone Tap
PT35

4.0mm Bone Tap
PT40

5.0mm Bone Tap
PT50

6.0mm Bone Tap
PT60



.050" (1.25mm)
Hex Driver
135-351

Hand Wrench
300-400

4mm Square
Drive Extender
300-206



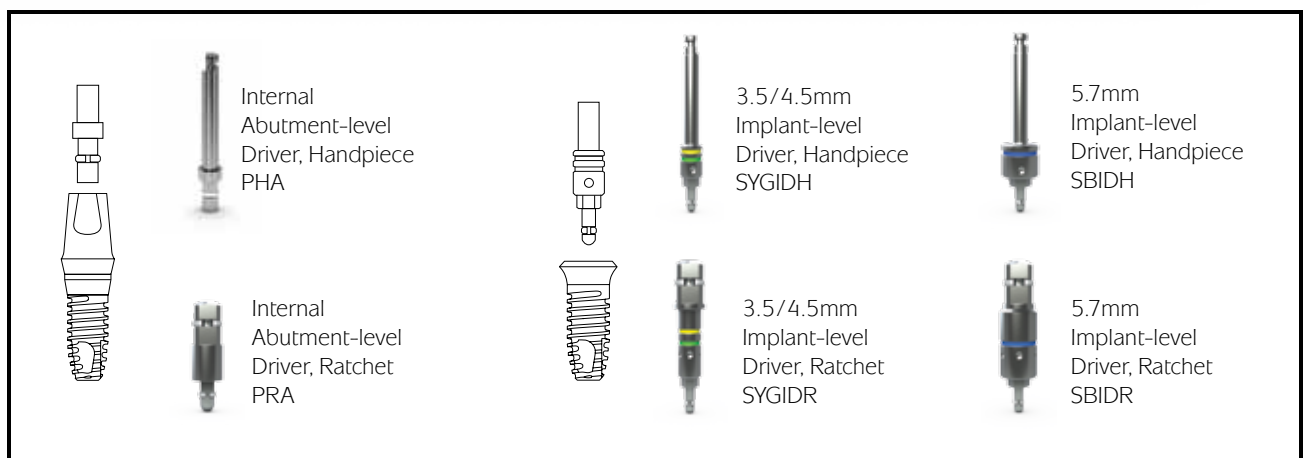
Ratchet
130-000

Implant Spacer /
Depth Probe
144-300



Straight
Parallel Pins
(2 per kit)
144-100

20° Angled
Parallel Pins
(2 per kit)
144-200



Internal
Abutment-level
Driver, Handpiece
PHA

Internal
Abutment-level
Driver, Ratchet
PRA

3.5/4.5mm
Implant-level
Driver, Handpiece
SYGIDH

3.5/4.5mm
Implant-level
Driver, Ratchet
SYGIDR

5.7mm
Implant-level
Driver, Handpiece
SBIDH

5.7mm
Implant-level
Driver, Ratchet
SBIDR



INTERNAL & SINGLE-STAGE SURGICAL KIT WALL CHART



L0116
REV C DEC 2011