

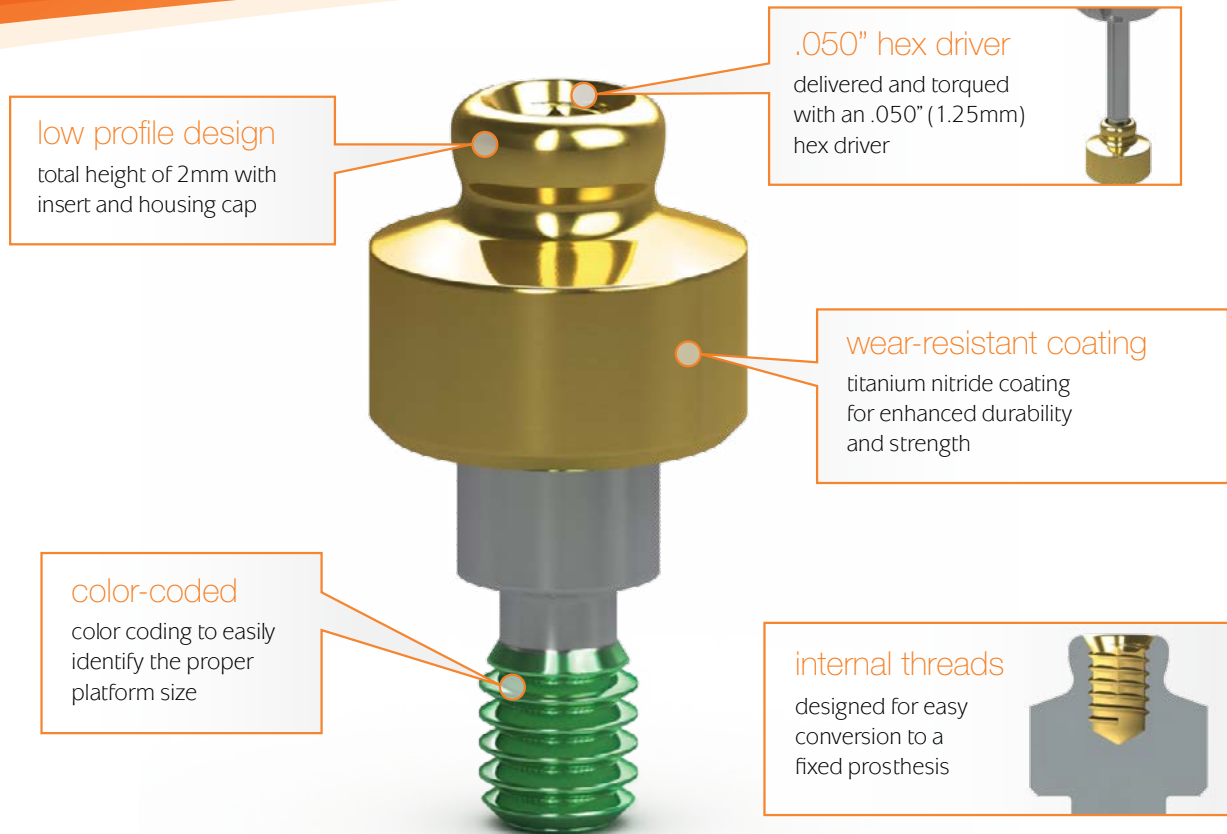
 secure™

getting attached is simple

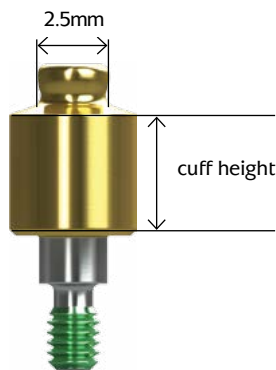


 **BIOHORIZONS**®
SCIENCE • INNOVATION • SERVICE

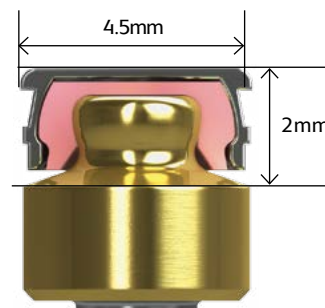
OD Secure abutment system



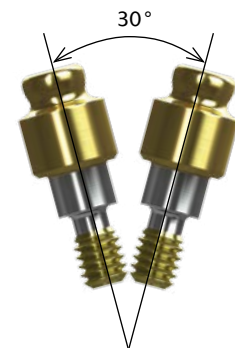
Introducing the all new OD Secure abutment system. The OD Secure abutment uses the industry's lowest profile connection to attach dentures and partial dentures to dental implants. With cuff heights ranging from 0.5mm to 6mm, the OD Secure provides attachment solutions for even the most challenging cases. The abutment is designed for easy delivery using an .050" hex driver and is color-coded to ensure that the abutment matches the implant platform every time.



Available in cuff heights from 0.5mm to 6mm



Low profile connection for additional restorative space



Corrects up to 30° of divergence between implants

all-in-one packaging

The OD Secure comes packaged with the abutment, metal housing, four retentive inserts, a lab processing insert and a protection disk.



	3.0mm platform	3.5mm platform	4.5mm platform	5.7mm platform
0.5mm cuff height	TP3ODSK0	PYODSK0	PGODSK0	PBODSK0
1mm cuff height	TP3ODSK1	PYODSK1	PGODSK1	PBODSK1
2mm cuff height	TP3ODSK2	PYODSK2	PGODSK2	PBODSK2
3mm cuff height	TP3ODSK3	PYODSK3	PGODSK3	PBODSK3
4mm cuff height	TP3ODSK4	PYODSK4	PGODSK4	PBODSK4
5mm cuff height	TP3ODSK5	PYODSK5	PGODSK5	PBODSK5
6mm cuff height	TP3ODSK6	PYODSK6	PGODSK6	PBODSK6

OD Secure Abutment Components

ODSRC-V Retention Cap Insert (4pack)
Retention: 6lbs - Hard



ODSRC-Y Retention Cap Insert (4pack)
Retention: 1.5lbs - Extra Soft



ODSRC-C Retention Cap Insert (4pack)
Retention: 4lbs - Medium



ODSRC-P Retention Cap Insert (4pack)
Retention: 2.5lbs - Soft



ODS-PM Lab Processing Insert (4pack)



ODS-HC Housing Cap (2pack)



ODS-BS Block-out Spacer (4pack)



ODSA OD Secure Analog (2pack)



ODSIC Impression Coping (2pack)



ODSCM Castable Male (2pack)



ODSCET Cap Extractor Tool



ODSCIT Cap Insert Tool



Direct Offices

BioHorizons USA
888-246-8338 or
205-967-7880

BioHorizons Canada
866-468-8338

BioHorizons Spain
+34 91 713 10 84

BioHorizons UK
+44 (0)1344 752560

BioHorizons Germany
+49 761-556328-0

BioHorizons Chile
+56 (2) 23619519

BioHorizons Italy
800-063-040

Distributors

For contact information in our 90 countries, visit www.biohorizons.com



BioHorizons®, Laser-Lok®, MinerOss®, AutoTac®, Mem-Lok® and TeethXpress® are registered trademarks of BioHorizons. Unigrip™ is a trademark of Nobel Biocare AB. Zimmer® Dental ScrewVent® and Tapered ScrewVent® are registered trademarks of Zimmer, Inc. AlloDerm® and AlloDerm GBR® are registered trademarks of LifeCell Corporation. Grafton® DBM is a registered trademark of Medtronic, Inc. Spiralock® is a registered trademark of Spiralock Corporation. Pomalux® is a registered trademark of Westlake Plastics Co. Locator® is a registered trademark of Zest Anchors, Inc. Delrin® is a registered trademark of E.I. du Pont de Nemours and Company. Bio-Gide® is a registered trademark of Edward Geistlich Sohne AG Fur Chemische Industrie. Not all products shown or described in this literature are available in all countries. As applicable, BioHorizons products are cleared for sale in the European Union under the EU Medical Device Directive 93/42/EEC and the tissues and cells Directive 2004/23/EC. We are proud to be registered to ISO 13485:2003, the international quality management system standard for medical devices, which supports and maintains our product licences with Health Canada and in other markets around the globe. Original language is English. ©BioHorizons. All Rights Reserved.



ML0233



REV A MAY 2016



Made in
the USA

shop online at
store.biohorizons.com