

Prosthetic Solutions

product catalog



BIOHORIZONS®

BIOHORIZONS®



why choose BioHorizons prosthetics?

Using authentic BioHorizons parts will ensure a precision fit connection between the prosthetic component and implant, avoiding costly component failures that may occur from using third-party prosthetics. Authentic BioHorizons parts are color-coded for easy identification to match the mating implant.

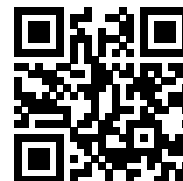
authentic connection

advantages:

- lifetime warranty on all implants & prosthetics
- Spirallock® technology minimizes screw loosening
- precise mating geometries reduce prosthetic failures
- advanced design creates a better engineered connection
- color-coded prosthetic components match implant platforms



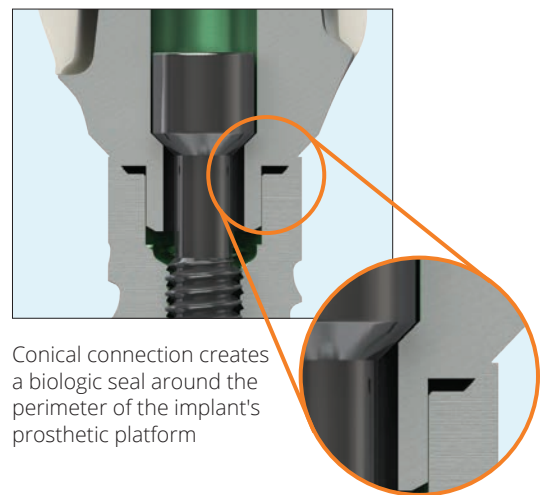
Look for this symbol from labs who use authentic BioHorizons parts.



Scan the code for more information about
Authentic Connection

engineering better prosthetics

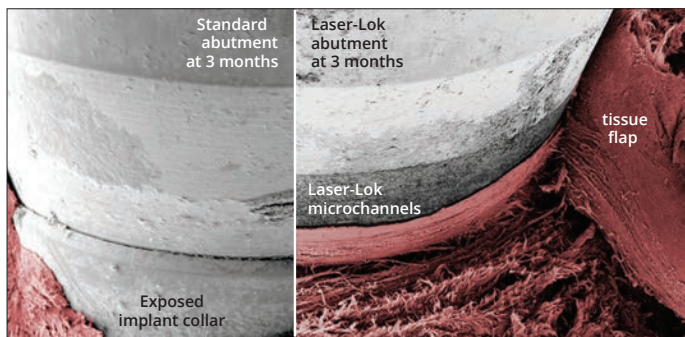
BioHorizons prosthetics are engineered and manufactured to seat precisely every time. The conical connection includes a small space between the components to guarantee contact of the abutment and implant around the entire perimeter of the prosthetic platform. This design creates a biologic seal and achieves optimal stress transmission, that protects the abutment screw from fracture and loosening.



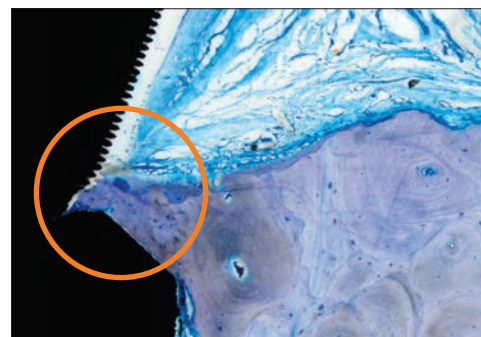
Conical connection creates a biologic seal around the perimeter of the implant's prosthetic platform

Laser-Lok[®] technology

Laser-Lok microchannels is a proprietary surface treatment developed from over 25 years of research initiated to create the optimal implant surface. The establishment of a physical, connective tissue attachment to the Laser-Lok surface has generated an entirely new area of research and development: Laser-Lok applied to abutments. Through this research, the unique Laser-Lok surface has been shown to elicit a biologic response that includes the inhibition of epithelial downgrowth and the attachment of connective tissue.¹⁻⁹ Laser-Lok abutments can support peri-implant health around implants without Laser-Lok. Multiple pre-clinical and clinical studies support both of these concepts.⁴⁻⁹



Comparative SEM images show the variation in tissue attachment strength on standard and Laser-Lok abutments when a tissue flap is incised vertically and manually lifted using forceps.⁵



Histology of a Laser-Lok abutment on an RBT implant with a machined collar showing exceptional bone growth at 3 months.⁵

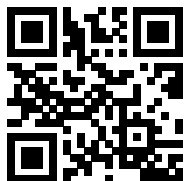


interactive prosthetic technique manual



The prosthetic technique manual provides fully illustrated step-by-step instruction for the use of BioHorizons prosthetics. The manual is intended to educate both clinicians and labs about the prosthetic options available. It is separated into technique modules that are updated frequently to describe the most current protocols used in implant dentistry.

The PDF versions of these modules are further enhanced by new animated sequences of the procedures providing multiple methods of learning the content.



Scan the code to view our **Prosthetic Technique Manual & Animations**



This icon indicates a step-by-step technique module is available.



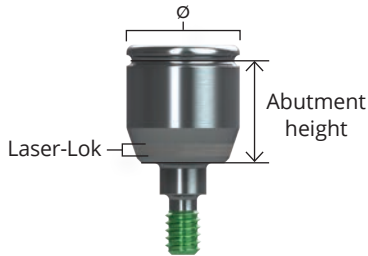


table of contents

Healing abutments	5
Temporary abutments	6-7
Impression components	8-11
Custom & CAD/CAM abutments	12-14
Multi-unit abutments	15-16
Multi-unit components	17-20
Esthetic & cementable abutments	21-22
OD Secure abutments & components	23-24
Locator abutments & components	25-26
Locator R-Tx abutments & components	27
Ball abutments & components	28-29
Prosthetic instrumentation	30-31
Prosthetic platform identification	32
Support materials & references	33
Ordering & warranty information	34

Healing Abutments

Laser-Lok Healing Abutments



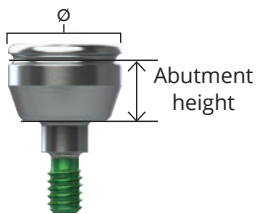
Narrow emergence	ø	3mm height	5mm height
3.5mm platform, Laser-Lok	4.0mm	PYNHA3L	PYNHA5L
4.5mm platform, Laser-Lok	5.0mm	PGNHA3L	PGNHA5L
5.7mm platform, Laser-Lok	6.0mm	PBNHA3L	PBNHA5L

Regular emergence	ø	3mm height	5mm height
3.0mm platform, Laser-Lok	3.5mm	TP3HA3L	TP3HA5L
3.5mm platform, Laser-Lok	4.5mm	PYRHA3L	PYRHA5L
4.5mm platform, Laser-Lok	5.5mm	PGRHA3L	PGRHA5L
5.7mm platform, Laser-Lok	6.5mm	PBRHA3L	PBRHA5L

Wide emergence	ø	3mm height	5mm height
3.0mm platform, Laser-Lok	4.0mm	TP3WHA3L	TP3WHA5L
3.5mm platform, Laser-Lok	6.0mm	PYWHA3L	PYWHA5L
4.5mm platform, Laser-Lok	7.0mm	PGWHA3L	PGWHA5L

Hand-tighten with the .050" (1.25mm) Hex Driver. Titanium alloy. Use Laser-Lok healing abutments when a Laser-Lok abutment restoration is planned to inhibit epithelial downgrowth, establish a soft tissue seal and protect the bone. Refer to the Prosthetic Technique Manual (L02015) for appropriate handling techniques.

Standard Healing Abutments



Narrow emergence	ø	1mm height	2mm height	3mm height	5mm height
3.0mm platform	3.0mm	-	TP3NHA2	TP3NHA3	TP3NHA5
3.5mm platform	4.0mm	PYNHA1	PYNHA2	PYNHA3	PYNHA5
4.5mm platform	5.0mm	PGNHA1	PGNHA2	PGNHA3	PGNHA5
5.7mm platform	6.0mm	PBNHA1	PBNHA2	PBNHA3	PBNHA5

Regular emergence	ø	1mm height	2mm height	3mm height	5mm height
3.0mm platform	3.5mm	-	TP3HA2	TP3HA3	TP3HA5
3.5mm platform	4.5mm	-	PYRHA2	PYRHA3	PYRHA5
4.5mm platform	5.5mm	-	PGRHA2	PGRHA3	PGRHA5
5.7mm platform	6.5mm	-	PBRHA2	PBRHA3	PBRHA5

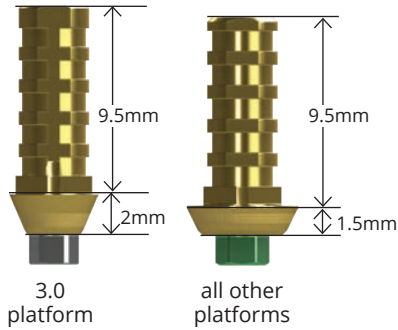
Wide emergence	ø	1mm height	2mm height	3mm height	5mm height
3.0mm platform	4.0mm	-	-	TP3WHA3	TP3WHA5
3.0mm platform (extra wide)	5.0mm	-	-	TP3EWA3	TP3EWA5
3.5mm platform	6.0mm	-	-	PYWHA3	PYWHA5
4.5mm platform	7.0mm	-	-	PGWHA3	PGWHA5
5.7mm platform	8.0mm	-	-	PBWHA3	PBWHA5



- Y = Yellow (3.5mm) platform
- G = Green (4.5mm) platform
- B = Blue (5.7mm) platform
- N, R or W = Narrow, Regular or Wide emergence
- 1, 2, 3 or 5 = 1mm, 2mm, 3mm or 5mm abutment height
- L = Laser-Lok

Hand-tighten with the .050" (1.25mm) Hex Driver. Titanium alloy. The 3.5mm, 4.5mm and 5.7mm healing abutments are laser marked for easy intraoral identification of the prosthetic platform, emergence and height. 3.0mm healing abutments are not laser marked due to their small size.

Temporary Abutments



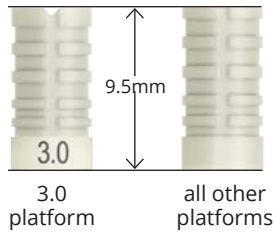
Laser-Lok Easy Ti Abutments

hexed	non-hexed	
TP3ETHL	TP3ETNL	3.0mm platform
PYETHL	PYETNL	3.5mm platform
PGETHL	PGETNL	4.5mm platform
PBETHL	PBETNL	5.7mm platform

Use hexed for single-unit screw retained, long term temporary restorations that require superior esthetics (>30 days). Use non-hexed for multiple-unit, screw retained, long term temporary restorations (>30 days). Packaged with an abutment screw (PXAS). Titanium alloy for strength. TiN coated for esthetics. Final torque: 30Ncm. Refer to the Prosthetic Technique Manual (L02015) for appropriate handling techniques.



L02015-037 Screw-retained crown using the Laser-Lok Easy Ti abutment



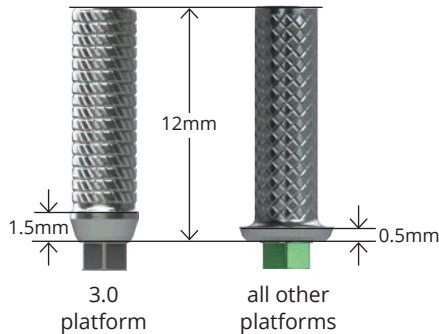
Easy Ti Temp Sleeves

TP3ETPS	3.0mm platform, PEEK (pack of 3)
PXETPS	3.5mm, 4.5mm & 5.7mm platform, PEEK (pack of 3)

Use for fabrication of cement- or screw-retained provisional restorations (up to 30 days). Packaged in packs of three. PEEK (PolyEtherEtherKetone).



L02015-039 Cement-retained crown using the Laser-Lok Easy Ti abutment and PEEK plastic sleeves



Titanium Temporary Abutments

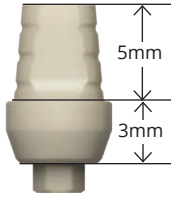
hexed	non-hexed	
TP3TTH	TP3TTN	3.0mm platform
PYTTH	PYTTN	3.5mm platform
PGTTH	PGTTN	4.5mm platform
PBTTH	PBTTN	5.7mm platform

Use hexed for single-unit, screw-retained, long term temporary restorations (>30 days). Use non-hexed for multiple-unit, screw-retained, long term temporary restorations (>30 days). Packaged with an abutment screw (PXAS). Titanium alloy. Final torque: 30Ncm.



L02015-022 Screw-retained bridge using titanium temporary abutments

Temporary Abutments



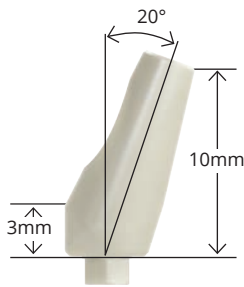
PEEK Temporary Abutments (Regular Emergence)

TP3TA	3.0mm platform
PYRTA	3.5mm platform
PGRTA	4.5mm platform
PBRTA	5.7mm platform

Use for fabrication of cement- or screw-retained provisional restorations (up to 30 days). A direct coping screw (PXDCS, purchased separately) may be used to maintain screw access hole during fabrication of screw-retained provisional prostheses. Packaged with an abutment screw (PXAS). PEEK (PolyEtherEtherKetone). Final torque: 30Ncm.



- [L02015-017](#) Cement-retained crown using the PEEK temporary abutment
- [L02015-018](#) Screw-retained crown using the PEEK temporary abutment



Angled PEEK Temporary Abutments (Regular Emergence)

TP3RATA	3.0mm platform
PYRATA	3.5mm platform
PGRATA	4.5mm platform

Use for fabrication of cement-retained provisional restorations (up to 30 days). Packaged with an abutment screw (PXAS). PEEK (PolyEtherEtherKetone). Final torque: 30Ncm.

PEEK Temporary Cylinder Abutments



3.0 platform

all other platforms

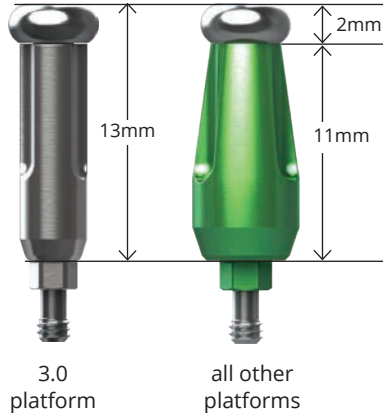
hexed	non-hexed	
TP3PTC	TP3PTCN	3.0mm platform
PYPTC	PYPTCN	3.5mm platform
PGPTC	PGPTCN	4.5mm platform
PBPTC	PBPTCN	5.7mm platform

Use for fabrication of cement- or screw-retained provisional restorations (up to 30 days). A direct coping screw (PXDCS, purchased separately) may be used to maintain screw access hole during fabrication of screw-retained provisional prostheses. Packaged with an abutment screw (PXAS). PEEK (PolyEtherEtherKetone). Final torque: 30Ncm.



- [L02015-042](#) Screw-retained crown using the PEEK temporary cylinder abutment
- [L02015-043](#) Custom healing abutment using the iShell and Peek temporary abutment

Impression Components



Indirect Scoop Copings (Closed Tray)

Narrow emergence

3.5mm platform	PYNISC
4.5mm platform	PGNISC
5.7mm platform	PBNISC

Regular emergence

3.0mm platform	TP3ISC
3.5mm platform	PYRISC
4.5mm platform	PGRISC
5.7mm platform	PBRISC

Wide emergence

3.0mm platform	TP3WISC
3.5mm platform	PYWISC
4.5mm platform	PGWISC

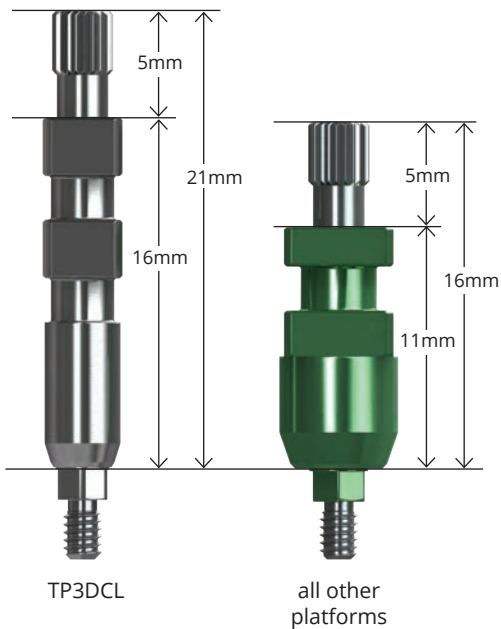
Use to make a closed-tray, implant-level, hexed-timed impression. Pre-assembled with a coping screw (PXSS). Titanium alloy. Hand-tighten.



L02015-007 Closed tray technique using the indirect transfer coping

L02015-008 Fabricating a custom impression coping using the closed tray technique

Direct Pick-up Copings (Open Tray)



Narrow emergence

	hexed	non-hexed
3.5mm platform	PYNDC	PYNDCN
4.5mm platform	PGNDC	PGNDCN
5.7mm platform	PBNDC	PBNDCN

Regular emergence

3.0mm platform	TP3DC	TP3DCN
3.0mm platform, long	TP3DCL	-
3.5mm platform	PYRDC	-
4.5mm platform	PGRDC	-
5.7mm platform	PBRDC	-

Wide emergence

3.5mm platform	PYWDC	-
4.5mm platform	PGWDC	-

Use to make an open-tray, implant-level impression. Packaged with the direct coping screw, shallow hex (PXDCSS). Non-hexed versions may also be used to fabricate multiple-unit bars. Titanium alloy. Hand-tighten.

Note: TP3DCL is packaged with the direct coping screw, long (PXDCSL).



L02015-005 Open tray technique using the direct pick-up coping

L02015-006 Fabricating a custom impression coping using the open tray technique

Impression Components



Snap Scan Bodies

8mm height		11mm height	
TP3SSB8		TP3SSB11	3.0mm platform
PYSSB8		PYSSB11	3.5mm platform
PGSSB8		PGSSB11	4.5mm platform
PBSSB8		PBSSB11	5.7mm platform

Use for traditional impressions or intra-oral scanning. PEEK (PolyEtherEtherKetone) and Titanium alloy.

Note: Prior to scanning, verify that the scan abutment is available in the library of the design software that will be used to design the abutment. Design libraries can be downloaded from www.vulcandental.com.



15mm height	
TP3SSB	3.0mm platform
PYSSB	3.5mm platform
PGSSB	4.5mm platform
PBSSB	5.7mm platform

Use for table top or intra-oral scanning. PEEK (PolyEtherEtherKetone) and Titanium Alloy.

Note: Prior to scanning, verify that the scan abutment is available in the library of the design software that will be used to design the abutment. Design libraries can be downloaded from www.vulcandental.com.



- [L02015-038](#) Custom (CAD/CAM) Prosthetics Overview
- [L02015-044](#) Snap Scan Bodies Technique

Snap Copings



Narrow Emergence	Regular Emergence	Wide Emergence	
-	TP3RSC	TP3WSC	3.0mm platform
PYNCS	PYRSC	PYWSC	3.5mm platform
PGNSC	PGRSC	PGWSC	4.5mm platform
PBNCS	PBRSC	-	5.7mm platform

Use to make a closed-tray, direct pick-up, implant-level impression. PEEK (PolyEtherEtherKetone) and Titanium alloy.



- [L02015-034](#) Closed Tray Pick-up Technique Using the Snap Coping

Impression Components




Titanium Scan Bodies

TP3TSB	3.0mm platform
PYTSB	3.5mm platform
PGTSB	4.5mm platform
PBTSB	5.7mm platform

Use for table top or intra-oral scanning. Packaged with an abutment screw (PXMUAS). Titanium alloy. Final torque: 30Ncm.

Note: Prior to scanning, verify that the scan abutment is available in the library of the design software that will be used to design the abutment. Design libraries can be downloaded from www.vulcandental.com.

 [L02015-038](#) Custom (CAD/CAM) Prosthetics Overview



PEEK Scan Abutments

TP3PSA	3.0mm platform
PYPSA	3.5mm platform
PGPSA	4.5mm platform
PBPSA	5.7mm platform

Use for table top or intra-oral scanning. Packaged with an abutment screw (PXAS). PEEK (PolyEtherEtherKEtone). Final torque: 30Ncm.

Note: Prior to scanning, verify that the scan abutment is available in the library of the design software that will be used to design the abutment. Design libraries can be downloaded from www.vulcandental.com.



Multi-unit Scan Bodies

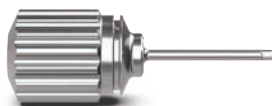
PXMUTSB	Titanium Scan Body, Multi-unit
----------------	--------------------------------

Use to scan and make a digital model of multi-unit analogs at the abutment level. Titanium alloy. Final Torque: 15Ncm.



IO 11B-A	Elos Accurate Multi-unit Scan Body
-----------------	------------------------------------

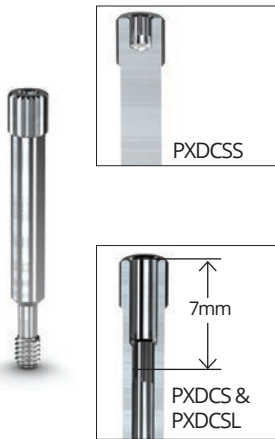
Use to scan and make a digital model of multi-unit analogs at the abutment level. Titanium alloy and PEEK. Hand tighten using C13485.



C13485	Elos Accurate Scan Body Driver
---------------	--------------------------------

 [L02015-048](#) Elos MU Scan body technique

Impression Components



Direct Coping Screw, Shallow Hex

PXDCSS

Direct Coping Screw, Shallow Hex

Packaged with all Direct Pick-up Copings, except 3.0mm platform, hexed, long (TP3DCL). Short hex depth for easy removal of impression material. May also be used to maintain the screw access hole during fabrication of a screw-retained provisional prostheses. Titanium alloy. Utilizes the .050" (1.25mm) Hex Driver. Hand-tighten or torque to 30Ncm depending on application.

Direct Coping Screw

PXDCS

Direct Coping Screw

Includes a deeper hex that allows up to 7mm to be prepped without losing the hex engagement. May also be used in place of an abutment screw (PXAS) when extra length is needed, or to maintain the screw access hole during fabrication of a screw-retained provisional prostheses. Titanium alloy. Utilizes the .050" (1.25mm) Hex Driver. Hand-tighten or torque to 30Ncm depending on application.

Direct Coping Screw, Long

PXDCSL

Direct Coping Screw, Long

Packaged with 3.0mm platform, hexed, long (TP3DCL). PXDCSL has the same deep hex as the PXDCS and is 5mm longer than the PXDCS and the PXDCSS. May also be used in place of an abutment screw (PXAS) when extra length is needed, or to maintain the screw access hole during fabrication of a screw-retained provisional prostheses. Titanium alloy. Utilizes the .050" (1.25mm) Hex Driver. Hand-tighten or torque to 30Ncm depending on application.



Ball-top Screw for Indirect (Closed Tray) Transfer

PXBT

Ball-top Screw for Indirect Transfer

Use with the 3inOne Abutment to form an impression coping for closed-tray, hexed-timed transfers. Titanium alloy. Utilizes the .050" (1.25mm) Hex Driver. Hand-tighten.



Abutment Screws

PXAS

Abutment Screw

PXAS25

Abutment Screw (pack of 25)

Fits all implant prosthetic platforms. Low profile screw head. Packaged with all two-piece abutments, except Hybrid and Angled Multi-unit abutments that are packaged with the PXMUAS. Titanium alloy. Utilizes the .050" (1.25mm) Hex Driver. Final torque: 30Ncm.

Implant Analogs

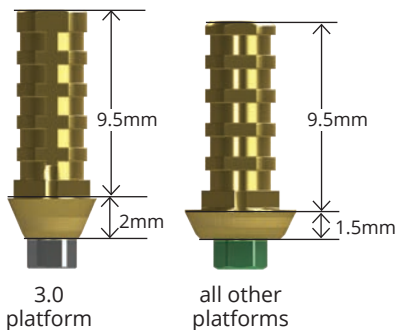


single	pack of 25	
TP3IA	TP3IA25	3.0mm platform
PYIA	PYIA25	3.5mm platform
PGIA	PGIA25	4.5mm platform
PBIA	PBIA25	5.7mm platform

Use in the lab to represent the implant in the working cast or printed model. Not intended for use with tissue-level implants. Titanium alloy.


Custom & CAD/CAM Abutments

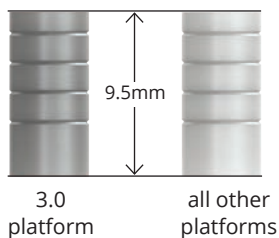
Laser-Lok Easy Ti Abutments



hexed	non-hexed	
TP3ETHL	TP3ETNL	3.0mm platform
PYETHL	PYETNL	3.5mm platform
PGETHL	PGETNL	4.5mm platform
PBETHL	PBETNL	5.7mm platform

Use hexed for single-unit screw retained, long term temporary restorations that require superior esthetics (>30 days). Use non-hexed for multiple-unit, screw retained, long term temporary restorations (>30 days). Packaged with an abutment screw (PXAS). Titanium alloy for strength. TiN coated for esthetics. Final torque: 30Ncm. Refer to the Prosthetic Technique Manual (L02015) for appropriate handling techniques.

 **L02015-037** Screw-retained crown using the Laser-Lok Easy Ti abutment

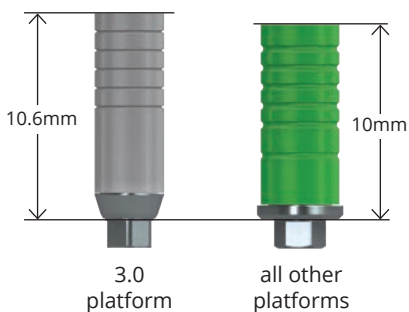


Easy Ti Abutment Sleeves

TP3ETS	Abutment Sleeve, 3.0mm (pack of 3)
PXETS	Abutment Sleeve (pack of 3)

Use as a foundation to create a full contour wax-up for a lithium disilicate glass-ceramic pressed crown. Packaged in packs of three. Acetal resin (Delrin® or Pomalux®) sleeve.



Custom Castable (UCLA) Abutments



Now includes polishing protector

hexed	non-hexed	
TP3CAH	TP3CAN	3.0mm platform
PYCAH	PYCAN	3.5mm platform
PGCAH	PGCAN	4.5mm platform
PBCAH	PBCAN	5.7mm platform

Use hexed abutments for single-unit, screw-retained or cement-retained, custom abutment restorations. Use non-hexed abutments for multiple-unit, screw-retained restorations. Packaged with an abutment screw (PXAS) and polishing protector. Gold alloy base with acetal resin (Delrin® or Pomalux®) sleeve. Color-coded by platform. Final torque: 30Ncm.

 **L02015-026** Screw-retained single crowns using custom-cast abutments
 **L02015-027** Screw-retained bridge using custom-cast abutments

Single-use Polishing Protector



TP3SUPP	3.0mm platform
PYSUPP	3.5mm platform
PGSUPP	4.5mm platform
PBSUPP	5.7mm platform

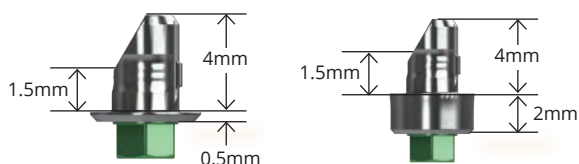
Use to protect the abutment connection during preparation of the abutment. Abutment is secured using the standard abutment screw (PXAS).

Custom & CAD/CAM Abutments



Notes

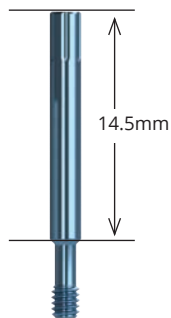
Hybrid Base Abutments packaged with PXMUAS (light blue) abutment screw.



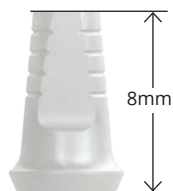
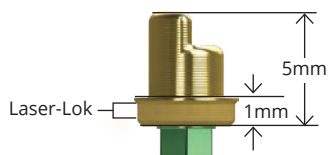
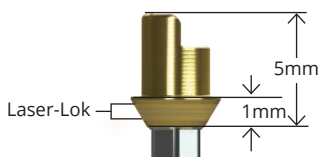
PHYBWSS



PHYBWSL



PXMUASL



8mm

Hybrid Base Abutments

hexed	non-hexed	2mm collar	
TP3HYB	TP3HYBN	TP3HYB2	3.0mm platform
PYHYB	PYHYBN	PYHYB2	3.5mm platform
PGHYB	PGHYBN	PGHYB2	4.5mm platform
PBHYB	PBHYBN	PBHYB2	5.7mm platform

Use hexed abutments for single-unit, screw-retained or cement-retained, CAD/CAM hybrid zirconia restorations. Use non-hexed abutments for multiple unit, screw-retained CAD/CAM hybrid zirconia restorations. Abutments have an internal thread to capture the abutment screw. Packaged with an abutment screw (PXMUAS). Titanium alloy for strength. Final torque: 30Ncm.



L02015-047 Hybrid Base Abutment Restorations

Hybrid Abutment Waxing Sleeves & Block-out Screw

PHYBWSS	3.0/3.5mm Waxing Sleeve, Small (pack of 3)
PHYBWSL	4.5/5.7mm Waxing Sleeve, Large (pack of 3)

Use as a foundation to create a full contour wax-up for a lithium disilicate glass-ceramic pressed crown. Packaged in packs of three. Acetal resin (Delrin® or Pomalux®) sleeve.



PXMUASL Custom Block-out Screw

Laser-Lok Titanium Base Abutments

TP3TBL	3.0mm platform
PYTBL	3.5mm platform
PGTBL	4.5mm platform
PBTBL	5.7mm platform

Use for anterior cases that require a durable, highly esthetic solution. For single-unit, screw-retained or cement-retained, CAD/CAM hybrid zirconia restorations. When a Laser-Lok component is used and temporarily removed, keep the component in sterile saline until reinserting into the site. Packaged with an abutment screw (PXAS). Titanium alloy for strength. TiN coated for esthetics. Note: TP3TBL has a 3.0mm platform connection, but the margin flares to 3.5mm.



L02015-046 Laser-Lok Titanium Base Abutment

Laser-Lok Titanium Base Waxing Sleeves

PYTBWSI	3.0/3.5mm Waxing Sleeve, indexed (pack of 3)
PGTBWSI	4.5mm Waxing Sleeve, indexed (pack of 3)
PBTBWSI	5.7mm Waxing Sleeve, indexed (pack of 3)

Use as a foundation to create a full contour wax-up for a lithium disilicate glass-ceramic pressed crown. Packaged in packs of three. Acetal resin (Delrin® or Pomalux®) sleeve.

Custom & CAD/CAM Abutments



Precision Angled Drivers

PADM14	Precision Angled Driver, Manual, Long
PADH14	Precision Angled Driver, Handpiece, Long
PADS14†	Precision Angled Driver, 4mm Square, Long
PADS19†	Precision Angled Driver, 4mm Square, Extra Long

Use with PXPAS for angled screw access from 0° to 15°.



L02015-045 Precision Angled Screw & Driver Technique



Precision Angled Screw

PXPAS	Precision Angled Screw
--------------	------------------------

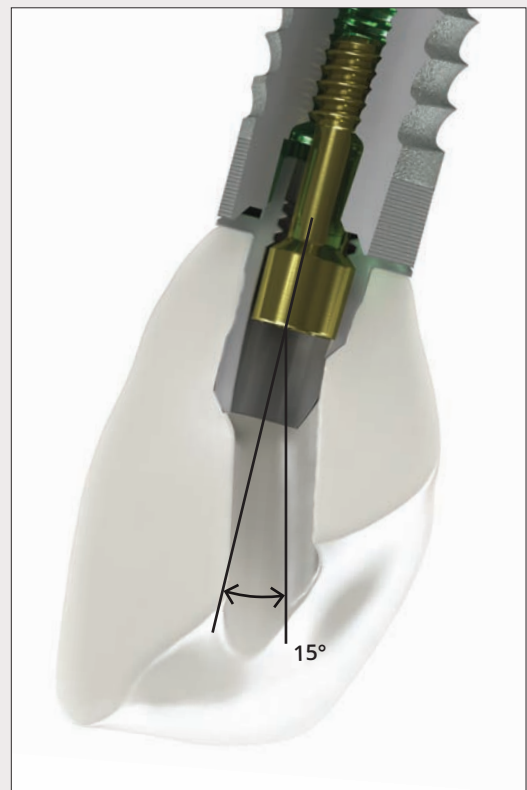
For use with the Hybrid Base Abutment and Precision Angled Driver. Titanium alloy. Final torque: 30Ncm.

Note: Precision angled screw and driver are only compatible with the hybrid base abutments in a digital work flow. Not compatible with Laser-Lok titanium base or 2mm tall hybrid base abutments.



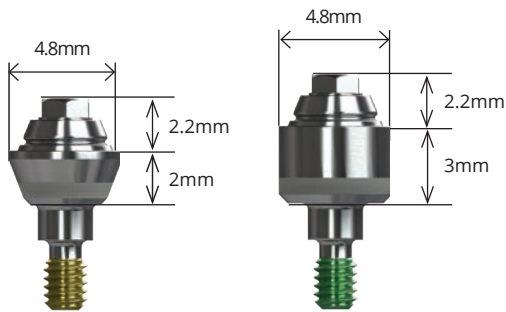
The Precision Angled Driver and Screw can be used with the Hybrid Base abutment (hexed and non-hexed) to position the screw channel at an angle up to 15°. Digital planning is available for 3Shape and Exocad design software.

Download the digital library from www.vulcandental.com.



† Instrument o-rings & c-rings wear out over time. If an instrument is no longer held securely by its associated driver, order a replacement ring through Customer Care.

Multi-unit Abutments



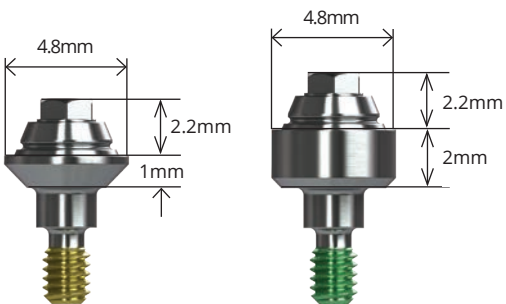
Laser-Lok Straight Multi-unit Abutments

2mm collar	3mm collar	4mm collar	
TP3MU2L	TP3MU3L	-	3.0mm platform
PYMU2L	PYMU3L	PYMU4L	3.5mm platform
PGMU2L	PGMU3L	PGMU4L	4.5mm platform

Laser-Lok Straight Multi-unit abutments may be used for multiple-unit restorations including: screw-retained restorations at the abutment level, cast alloy bars for overdentures and fixed/detachable (hybrid) restorations. When a Laser-Lok component is used and temporarily removed, keep the removed Laser-Lok component in sterile saline until reinserting into the site. Comes with a cover cap (PXMUCC). Titanium alloy. Final torque: 30Ncm using a Multi-unit Hex Adapter.



[L02015-003](#) Handling of Laser-Lok abutments



Straight Multi-unit Abutments

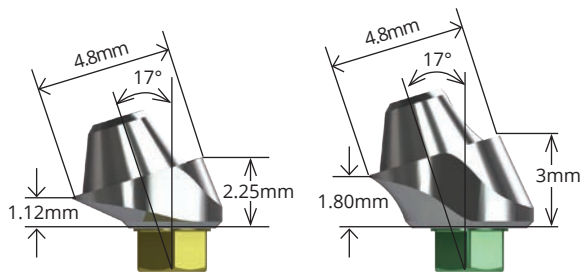
1mm collar	2mm collar	3mm collar	4mm collar	5mm collar	
TP3MU1	TP3MU2	TP3MU3	-	-	3.0mm platform
PYMU1	PYMU2	PYMU3	PYMU4	PYMU5	3.5mm platform
PGMU1	PGMU2	PGMU3	PGMU4	PGMU5	4.5mm platform
PBMU1	PBMU2	PBMU3	-	-	5.7mm platform

Straight Multi-unit abutments may be used for multiple-unit restorations including: screw-retained restorations at the abutment level, cast alloy bars for overdentures and fixed/detachable (hybrid) restorations. Comes with a cover cap (PXMUCC). Titanium alloy. Final torque: 30Ncm using a Multi-unit Hex Adapter.



- [L02015-028](#) Multi-unit abutment hybrid or fixed-detachable-screw-retained restoration
- [L02015-029](#) Multi-unit abutment bar overdenture - screw-retained restoration
- [L02015-031](#) Correcting a non-passive framework

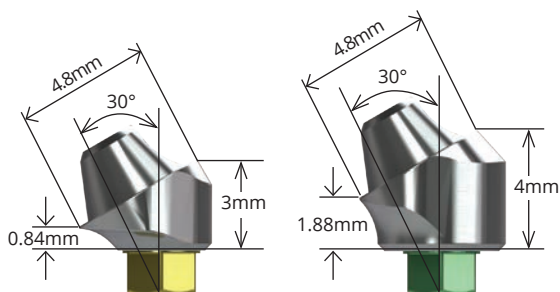
Multi-unit Abutments



17° Angled Multi-unit Abutments

2.5mm collar	3mm collar	4mm collar	
TP3MU172	TP3MU173	-	3.0mm platform
PYMU172	PYMU173	PYMU174	3.5mm platform
PGMU172	PGMU173	PGMU174	4.5mm platform
PBMU172	PBMU173	-	5.7mm platform



17° Angled Multi-unit abutments may be used to angle-correct divergent implants. Use for multiple-unit restorations including: screw-retained restorations at the abutment level, cast alloy bars for overdentures and fixed/detachable (hybrid) restorations. Comes with a cover cap (PXMUCC) and abutment screw (PXMUAS). Titanium alloy. Final torque: 30Ncm. Conveniently deliver abutment one-handed using an .050 hex or Unigrip™ driver or two-handed using an angled Multi-unit carrier (MUCA).



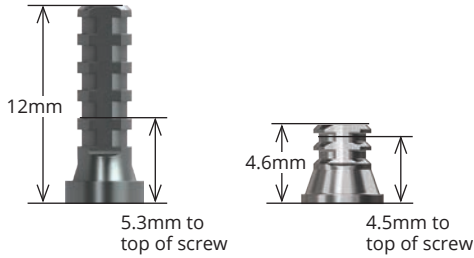
30° Angled Multi-unit Abutments

3mm collar	4mm collar	5mm collar	
TP3MU303	TP3MU304	-	3.0mm platform
PYMU303	PYMU304	PYMU305	3.5mm platform
PGMU303	PGMU304	PGMU305	4.5mm platform
PBMU303	PBMU304	-	5.7mm platform

30° Angled Multi-unit abutments may be used to angle-correct divergent implants. Use for multiple-unit restorations including: screw-retained restorations at the abutment level, cast alloy bars for overdentures and fixed/detachable (hybrid) restorations. Comes with a cover cap (PXMUCC) and abutment screw (PXMUAS). Titanium alloy. Final torque: 30Ncm. Conveniently deliver abutment one-handed using an .050 hex or Unigrip™ driver or two-handed using an angled Multi-unit carrier (MUCA).

-  [L02015-028](#) Multi-unit abutment hybrid or fixed-detachable-screw-retained restoration
-  [L02015-029](#) Multi-unit abutment bar overdenture - screw-retained restoration
- [L02015-031](#) Correcting a non-passive framework

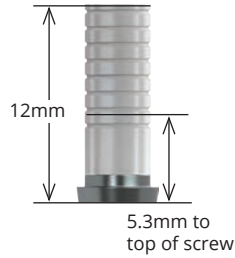
Multi-unit Components



Multi-unit Copings

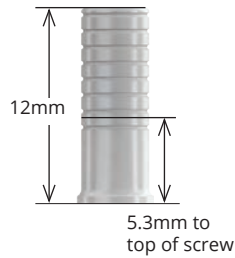
PXMUTC	Titanium
PXMUTCS	Titanium, Short

Use for fabricating acrylic temporary and final prostheses. May be trimmed for height. PXMUTC packaged with prosthetic screw (PXMUPSR). PXMUTCS packaged with prosthetic screw (PXMUPSS). Titanium alloy. Final torque: 15Ncm.



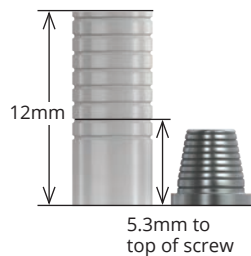
PXMUGC	Gold Custom Castable
---------------	-----------------------------

Use for fabricating metal-reinforced acrylic prostheses or bar overdentures. May be trimmed for height. Packaged with prosthetic screw (PXMUPSR). Coping has a gold alloy base with acetal resin (Delrin® or Pomalux®) sleeve. Final torque: 15Ncm.



PXMUPC	Plastic Custom Castable
---------------	--------------------------------

Use for fabricating metal-reinforced acrylic prostheses or bar overdentures. May be trimmed for height. Packaged with prosthetic screw (PXMUPSR). Acetal resin (Delrin® or Pomalux®). Final torque: 15Ncm.

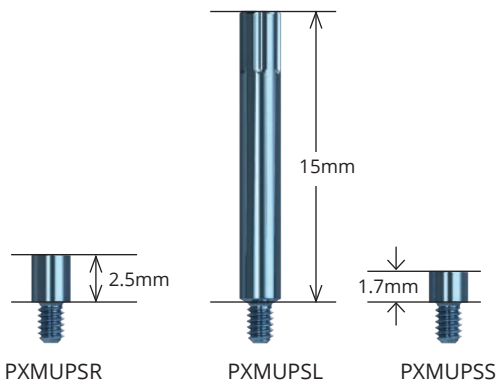


PXMUPFC	Passive Fit
----------------	--------------------

Use for fabricating metal-reinforced acrylic prostheses or bar overdentures, cemented using the passive-fit technique. May be trimmed for height. Packaged with regular and long prosthetic screws (PXMUPSR, PXMUPSL). Coping has a titanium alloy base with acetal resin (Delrin® or Pomalux®) sleeve. Final torque: 15Ncm.

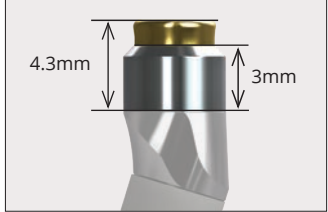
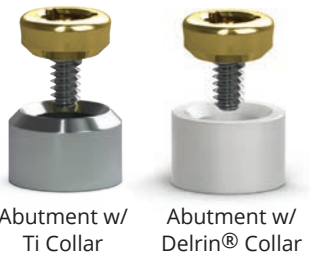
Multi-unit Coping Screws

PXMUPSR	Prosthetic Screw, Multi-unit, Regular (pack of 5)
PXMUPSR25	Prosthetic Screw, Multi-unit, Regular (pack of 25)
PXMUPSL	Prosthetic Screw, Multi-unit, Long (pack of 5)
PXMUPSS	Prosthetic Screw, Multi-unit, Small (pack of 5)
PXMUPSS1	Prosthetic Screw, Multi-unit, Small



For attaching copings to the Multi-unit abutments. Titanium alloy. Hand-tighten or torque to 15Ncm with .050" (1.25mm) Hex Driver or Unigrip™ screw driver, depending on application. Included with copings where indicated but can also be ordered separately.

Multi-unit Components



Multi-unit Locators®

- LMUTC-2** Locator Multi-unit Abutment w/ Ti Collar (2 pack)
- LMUTC-10** Locator Multi-unit Abutment w/ Ti Collar (10 pack)

Use Male Processing Package for these collars (LMPP-2 or LMPP-10).

- LMUDC-2** Locator Multi-unit Abutment w/ Delrin® Collar (2 pack)
- LMUDC-10** Locator Multi-unit Abutment w/ Delrin® Collar (10 pack)

Use Locator Multi-unit Bar Processing Package listed below for these collars.

- LMUBPP-2** Locator Multi-unit Bar Processing Package (2 pack)
- LMUBPP-10** Locator Multi-unit Bar Processing Package (10 pack)

Locator attachments for multi-unit abutments have been designed as a free-standing option (LMUTC) for the angled multi-unit posterior sites and for castable bar-splinted applications (LMUDC). The Locator Multi-unit Bar Processing Package includes Denture Cap with Yellow Bar Processing Male, Dual Retentive Replacement Males: Clear, Pink, Blue, and Block-Out Spacer. Offered in 2 packs and 10 packs. For complete instructions, visit the Zest Anchors web site.


Multi-unit Impression Copings

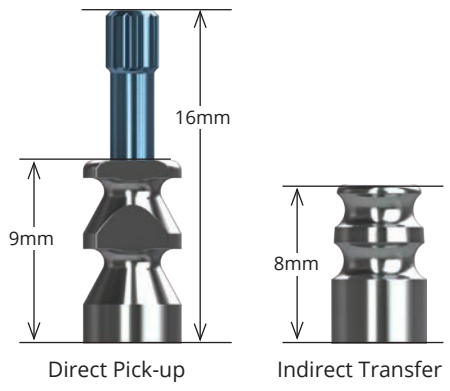
- PXMUDPC** Direct Pick-up Coping, Multi-unit

Use to make a direct pick-up impression (open-tray) at the abutment level. Titanium alloy. Hand tighten.

- PXMUIC** Indirect Transfer Coping, Multi-unit

Use to make an indirect transfer (closed-tray) impression at the abutment level. Titanium alloy. Hand tighten.

-  **L02015-010** Multi-unit abutment impression technique - direct open tray
- L02015-011** Multi-unit abutment impression technique - closed tray
- L02015-030** Verification jig fabrication

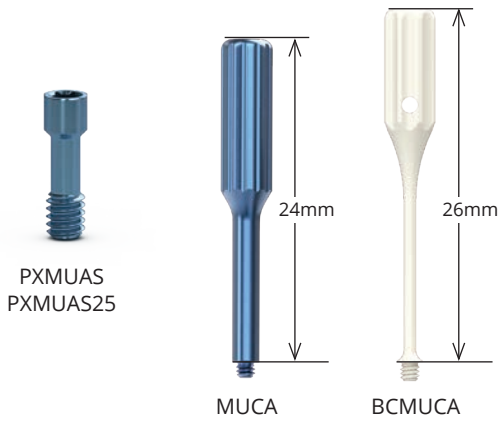


Multi-unit Scan Bodies

- PXMUTSB** Titanium Scan Body, Multi-unit

Use to scan and make a digital model of multi-unit analogs at the abutment level. Titanium alloy. Final Torque: 15Ncm.

Multi-unit Components



Multi-unit Angled Abutment Screw & Abutment Carrier

PXMUAS
PXMUAS25

- Abutment Screw, Multi-unit**
- Abutment Screw, Multi-unit (pack of 25)**

For angled Multi-unit abutments. Titanium alloy. Final torque: 30Ncm with .050" (1.25mm) Hex Driver or Unigrip™ screw driver. Included with abutment but can also be ordered separately.

MUCA
BCMUCA

- Angled Multi-unit Abutment Carrier (pack of 3)**
- Angled Multi-unit Abutment Carrier, Flexible (pack of 2)**

Use to deliver angled Multi-unit abutments to the surgical site. Titanium alloy and PEEK.

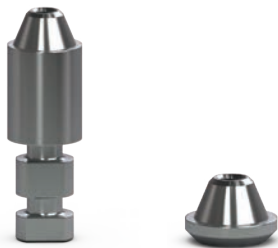


Multi-unit Cover Caps

PXMUCC
PXMUCCC

- Cover Cap, Multi-unit**
- Contoured Cover Cap, Multi-unit (pack of 2)**

PXMUCC is packaged with all Multi-unit abutments. Titanium alloy and PEEK. Hand-tighten with .050" (1.25mm) Hex Driver or Unigrip™ screw driver.



Multi-unit Abutment Replicas & Protective Analog

PXMUAR
PXMUAR25

- Abutment Replica, Multi-unit**
- Abutment Replica, Multi-unit (pack of 25)**

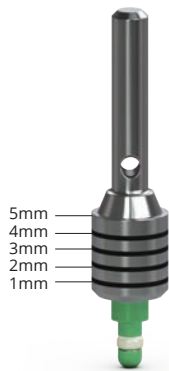
Use at lab to represent the Multi-unit/Implant assembly in the working cast or printed model. Not for use with implant-level impressions. Titanium alloy.

PXMUPA

- Protection Analog, Multi-unit (pack of 5)**

Use to protect abutment-coping interface when polishing the metal framework. Titanium alloy.

Multi-unit Components



Straight Abutment
Laser marking

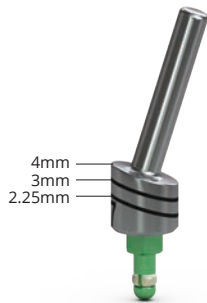
Multi-unit Try-in Abutments, Straight

straight

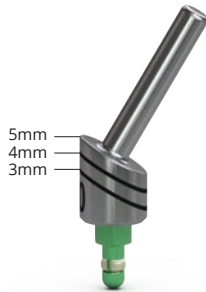
TRYTP3MU	3.0mm platform
TRYPYMU	3.5mm platform
TRYPGMU	4.5mm platform
TRYPBMU	5.7mm platform

Multi-unit Try-in Abutments may be used to measure tissue thickness and verify proper prosthetic seating prior to final abutment seating.

Each Try-in is laser marked from 1mm to 5mm to correspond with the Straight Multi-unit Abutment collar heights and can also be used as a measuring tool for OD Secure, Locator, Locator R-Tx and Ball abutment systems. Try-in is carried to the site by the handle and snaps into the implant.



17° Angled
Abutment Laser
marking



30° Angled
Abutment Laser
marking

Multi-unit Try-in Abutments, Angled

17° Angled

30° Angled

TRYTP3MU17	TRYTP3MU30	3.0mm platform
TRYPYMU17	TRYPYMU30	3.5mm platform
TRYPGMU17	TRYPGMU30	4.5mm platform
TRYPBMU17	TRYPBMU30	5.7mm platform

Each Try-in is laser marked to correspond with the Angled Multi-unit Abutment collar heights. Try-in is carried to the site by the handle and snaps into the implant.



Manual



Handpiece



4mm Square

Multi-unit Hex Adapters for Straight Abutments

PXMUHAM

Manual Multi-unit Hex Adapter

Use to hand tighten straight Multi-unit abutments.

PXMUHAH

Handpiece Multi-unit Hex Adapter

Use to torque straight Multi-unit abutments. Driven by latch-type handpiece. Do not exceed 30Ncm.

PXMUHAR[†]

4mm Square Multi-unit Hex Adapter

Use to torque straight Multi-unit abutments. Driven by 4mm square drive handwrench, ratchet, or torque wrench. Do not exceed 30Ncm.



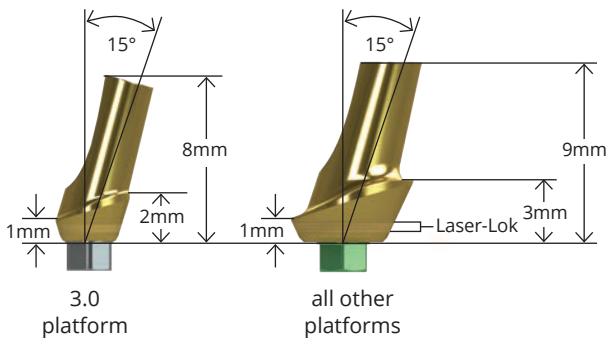
Paralleling Pins

144-100	Straight Parallel Pin
144-200	20° Angled Parallel Pin
144-230	30° Angled Parallel Pin

Use parallel pins to assess implant angulation and estimate which angled abutment is appropriate for the restoration.

[†] Instrument o-rings & c-rings wear out over time. If an instrument is no longer held securely by its associated driver, order a replacement ring through Customer Care.

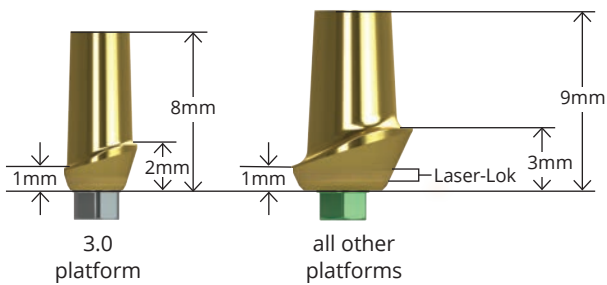
Esthetic & Cementable Abutments



Angled Esthetic Abutments

Laser-Lok	standard	
TP3AEAL	TP3AEA	3.0mm platform
PYAEAL	PYAEA	3.5mm platform
PGAEAL	PGAEA	4.5mm platform
PBAEAL	PBAEA	5.7mm platform



Use to create a cement-retained, single- or multiple-unit prostheses. When a Laser-Lok component is used and temporarily removed, keep the component in sterile saline until reinserting into the site. Packaged with an abutment screw (PXAS). Titanium alloy. TiN coated for esthetics. Final torque: 30Ncm.

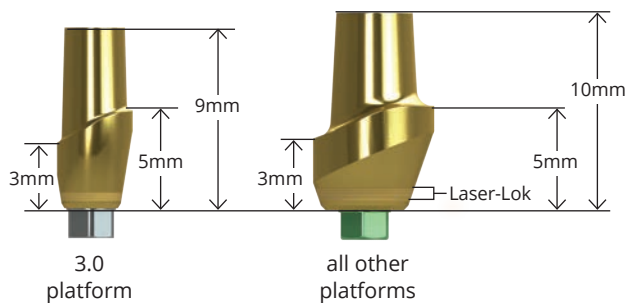


Straight Esthetic Abutments

Laser-Lok	standard	
TP3SEAL	TP3SEA	3.0mm platform
PYSEAL	PYSEA	3.5mm platform
PGSEAL	PGSEA	4.5mm platform
PBSEAL	PBSEA	5.7mm platform

Use to fabricate cement-retained, single- or multiple-unit prostheses. When a Laser-Lok component is used and temporarily removed, keep the component in sterile saline until reinserting into the site. Packaged with an abutment screw (PXAS). Titanium alloy. TiN coated for esthetics. Final torque: 30Ncm.

-  [L02015-023](#) Cement-retained single crowns using cementable abutments
-  [L02015-025](#) Chairside modification of cement-retained abutments



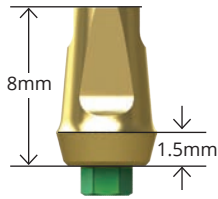
Straight Esthetic Abutments (3mm buccal height)

Laser-Lok	standard	
TP3SEA3L	TP3SEA3	3.0mm platform
TP3WSEA3L (wide)	TP3WSEA3 (wide)	3.0mm platform
PYSEA3L	PYSEA3	3.5mm platform
PGSEA3L	PGSEA3	4.5mm platform
PBSEA3L	PBSEA3	5.7mm platform

Use to fabricate cement-retained, single- or multiple-unit prostheses when a deep gingival sulcus is present. When a Laser-Lok component is used and temporarily removed, keep the component in sterile saline until reinserting into the site. Packaged with an abutment screw (PXAS). Titanium alloy. TiN coated for esthetics. Final torque: 30Ncm.

-  [L02015-023](#) Cement-retained single crowns using cementable abutments
-  [L02015-025](#) Chairside modification of cement-retained abutments

Esthetic & Cementable Abutments



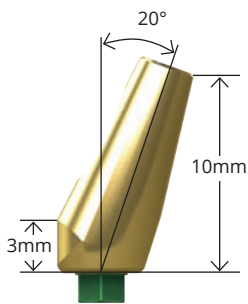
3inOne Abutments (Regular Emergence)

PYREA	3.5mm platform
PGREA	4.5mm platform
PBREA	5.7mm platform

Use to fabricate cement-retained, single- or multiple-unit prostheses. Also used with a Ball-top Screw for a closed-tray, hex-timed transfer. Packaged with an abutment screw (PXAS). Titanium alloy. TiN coated for esthetics. Final torque: 30Ncm.



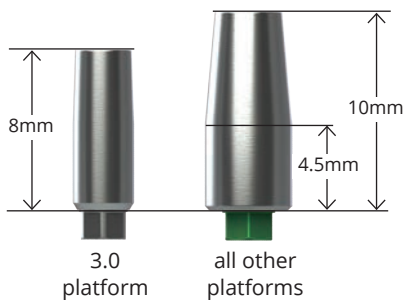
L02015-024 Cement-retained bridge using cementable abutments



Angled Abutments (Regular Emergence)

PYRAA	3.5mm platform
PGRAA	4.5mm platform
PBRAA	5.7mm platform

Use to fabricate cement-retained, single- or multiple-unit prostheses. Packaged with an abutment screw (PXAS). Titanium alloy. TiN coated for esthetics. Final torque: 30Ncm.

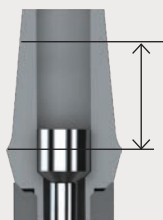


Narrow Emergence Abutments

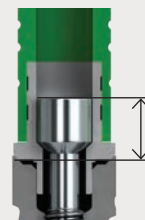
TP3SA	3.0mm platform
PYNEA	3.5mm platform
PGNEA	4.5mm platform
PBNEA	5.7mm platform

Use to fabricate cement-retained, single- or multiple-unit prostheses. Packaged with an abutment screw (PXAS). Titanium alloy. Final torque: 30Ncm.

Notes

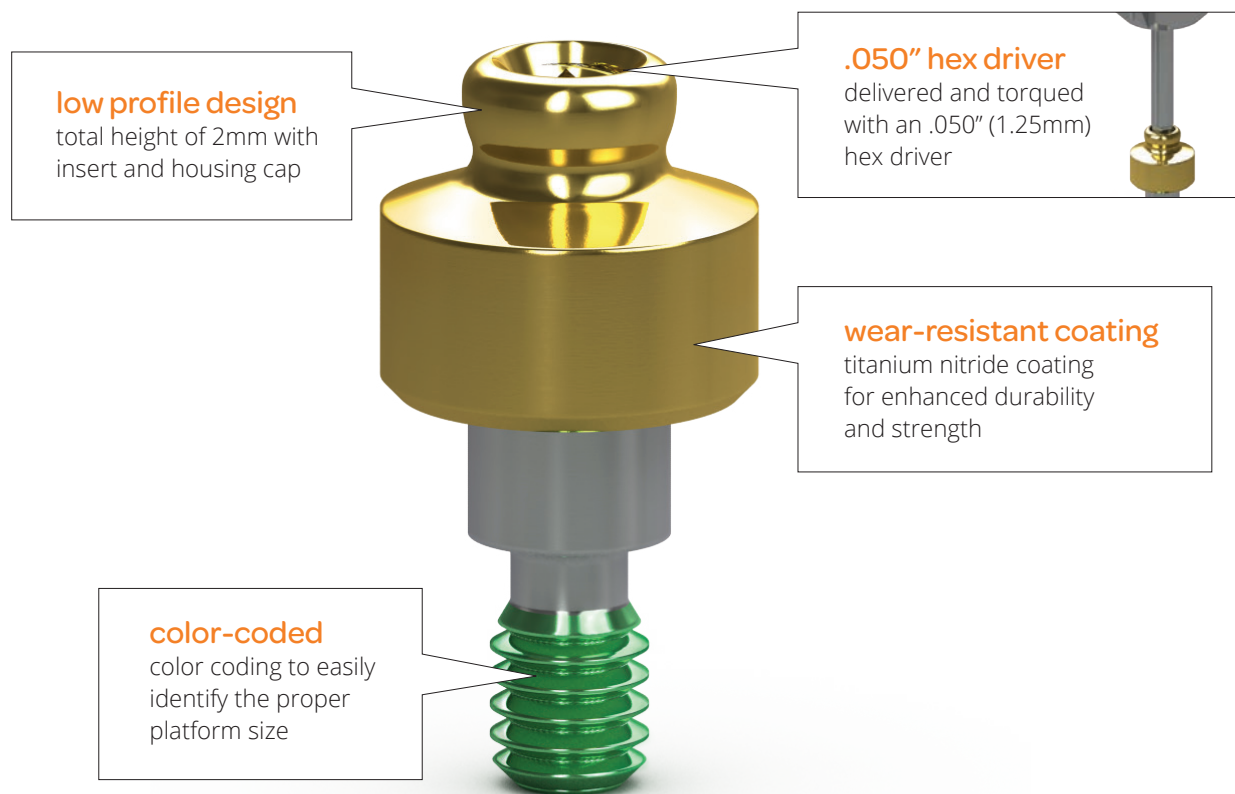


For cement-retained restorations, maintain at least 4mm of chimney height from the margin for optimal cement retention.

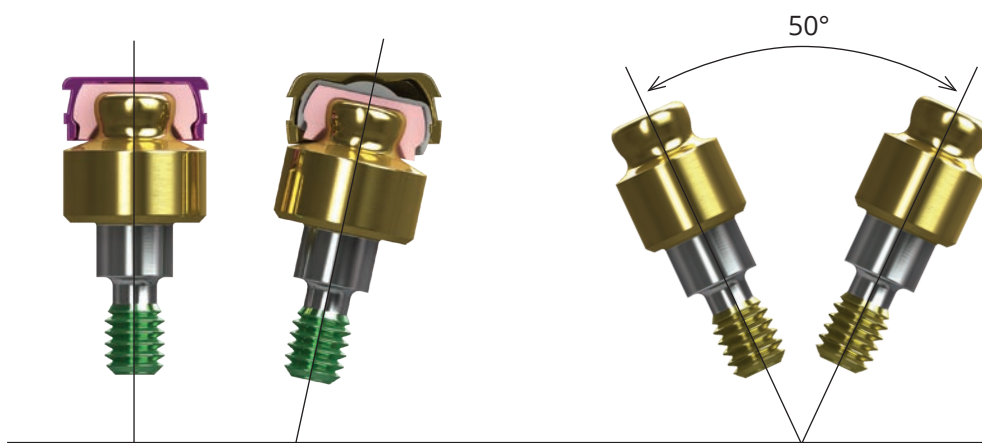


For screw-retained restorations, maintain at least 3mm from the abutment platform to avoid damaging the abutment screw.

The OD Secure abutment uses the industry's lowest profile connection to attach dentures and partial dentures to dental implants. The abutment is designed for easy delivery using an .050" hex driver and is color-coded to ensure that the abutment matches the implant platform every time.



With cuff heights ranging from 0.5mm to 6mm, the OD Secure provides attachment solutions for even the most challenging cases.



The housing cap that is included with each OD Secure abutment corrects up to 30° of divergence. The new Xtend housing cap corrects up to 50° of divergence and is compatible with the retention caps included in the OD Secure abutment kit.

OD Secure Abutments & Components

















OD Secure Abutment System

3.0mm platform	3.5mm platform	4.5mm platform	5.7mm platform	
TP3ODSK0	PYODSK0	PGODSK0	PBODSK0	0mm cuff height
TP3ODSK1	PYODSK1	PGODSK1	PBODSK1	1mm cuff height
TP3ODSK2	PYODSK2	PGODSK2	PBODSK2	2mm cuff height
TP3ODSK3	PYODSK3	PGODSK3	PBODSK3	3mm cuff height
TP3ODSK4	PYODSK4	PGODSK4	PBODSK4	4mm cuff height
TP3ODSK5	PYODSK5	PGODSK5	PBODSK5	5mm cuff height
TP3ODSK6	PYODSK6	PGODSK6	PBODSK6	6mm cuff height

The OD Secure comes packaged with the abutment, metal housing, four retentive inserts, a lab processing insert and a protection disk. Titanium alloy, TiN coated for esthetics. Final Torque: 30Ncm.

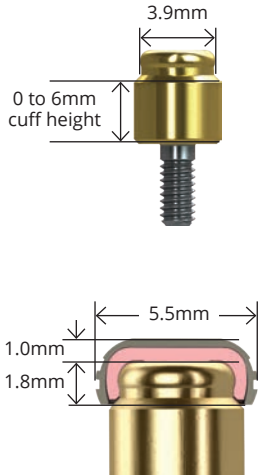
-  L02015-040 OD Secure impression technique
-  L02015-041 OD Secure chairside pick-up using existing denture

OD Secure Abutment Components

 <div style="border: 1px solid black; padding: 5px; width: fit-content;"> ODS-XH Xtend Housing Cap 2 pack </div> <p>Xtend Housing Cap assembled with Lab Processing Insert and is used to correct up to 50° of divergence.</p>	 <div style="border: 1px solid black; padding: 5px; width: fit-content;"> ODS-HCPM Housing Cap 2 pack </div> <p>New pink Housing Cap comes assembled with Lab Processing Insert.</p>
 <div style="border: 1px solid black; padding: 5px; width: fit-content;"> ODS-XPM Xtend Lab Processing Insert 4 pack </div>	 <div style="border: 1px solid black; padding: 5px; width: fit-content;"> ODSRC-P Retention Insert (pink) Retention: 2.5lbs (Soft) 4 pack </div>
 <div style="border: 1px solid black; padding: 5px; width: fit-content;"> ODSRC-V Retention Insert (violet) Retention: 6lbs (Hard) 4 pack </div>	 <div style="border: 1px solid black; padding: 5px; width: fit-content;"> ODSRC-Y Retention Insert (yellow) Retention: 1.5lbs (Extra Soft) 4 pack </div>
 <div style="border: 1px solid black; padding: 5px; width: fit-content;"> ODSRC-C Retention Insert (clear) Retention: 4lbs (Medium) 4 pack </div>	 <div style="border: 1px solid black; padding: 5px; width: fit-content;"> ODS-CAK Cap Assortment Kit 2 pack </div>
 <div style="border: 1px solid black; padding: 5px; width: fit-content;"> ODS-PM Lab Processing Insert 4 pack </div>	 <div style="border: 1px solid black; padding: 5px; width: fit-content;"> ODSA OD Secure Analog 2 pack </div>
 <div style="border: 1px solid black; padding: 5px; width: fit-content;"> ODS-BS Block-out Spacer 4 pack </div>	 <div style="border: 1px solid black; padding: 5px; width: fit-content;"> ODSCM Castable Male 2 pack </div>
 <div style="border: 1px solid black; padding: 5px; width: fit-content;"> ODSIC Impression Coping 2 pack </div>	
 <div style="border: 1px solid black; padding: 5px; width: fit-content;"> ODSCT Cap Insert/Extractor Tool </div>	

Locator Abutments & Components

Locator Abutments



	3.0mm platform	3.5mm platform	4.5mm platform	5.7mm platform	
	-	PYLA0	PGLA0	-	0mm cuff height
	TP3LA1	PYLA1	PGLA1	PBLA1	1mm cuff height
	TP3LA2	PYLA2 (2.5mm)	PGLA2	PBLA2	2mm cuff height
	TP3LA3	PYLA3 (3.5mm)	PGLA3	PBLA3	3mm cuff height
	TP3LA4	PYLA4 (4.5mm)	PGLA4	PBLA4	4mm cuff height
	TP3LA5	PYLA5 (5.5mm)	PGLA5	PBLA5	5mm cuff height
	TP3LA6	PYLA6 (6.5mm)	PGLA6	PBLA6	6mm cuff height

Locator Implant Attachments are designed for use with overdentures or partial dentures retained in whole or in part by dental implants in the mandible or maxilla. Order by cuff height to match the height of the gingival tissue. The abutment will extend above the tissue by 1.8mm to allow the Locator Male to seat completely. Order one Locator Male Processing Set for each Locator Abutment (sold in packs of 2 or 10). Can also be used with tissue-level implants. Titanium alloy. Final torque: 30Ncm.

The Male Processing Package provides 3 choices of retention. The Replacement Males (clear, pink and blue) are used to restore implants with up to 10° of divergence (20° between implants). The Extended Range Replacement Males (green, orange and red) accommodate divergences from 10° and 20° (40° between implants), and may be purchased separately.

-  [L02015-013](#) Locator® abutment impression technique
-  [L02015-032](#) Locator® abutment overdenture: chairside pickup using existing denture

Locator Components

LCT

Core Tool



Multi-purpose tool serves as hand driver for seating Locator Abutments onto the implants, seating tool for nylon male inserts and insert removal tool. Note: now packaged with one Locator Abutment Holder Sleeve.

LAHS

Locator Abutment Holder Sleeve (4 pack)

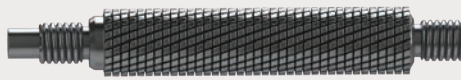


Use to retain and deliver the Locator Abutment using the driver portion of the Core Tool.

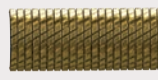
Locator core tool instructions



Male retention insert removal tool
For removing the male retention inserts from the metal housing



Male retention insert tool
For placing the male retention inserts into the metal housing



Hand driver
For hand tightening the Locator abutment



Locator abutment holder
For retaining and delivering the Locator abutment using the hand driver portion of the core tool.

Locator Components



LMPP-2

Male Processing Package (2 pack)

Includes: (2) Denture Caps assembled with Black Processing Males; (2) White Block-out Spacers; (2) Clear, (2) Pink and (2) Blue Nylon Males.

LMPP-10

Male Processing Package (10 pack)

Includes: (10) Denture Caps assembled with Black Processing Males; (10) White Block-out Spacers; (10) Clear, (10) Pink and (10) Blue Nylon Males.



LMPPER-2

Male Processing Package, Extended Range (2 pack)

Includes: (2) Denture Caps assembled with Black Processing Males; (2) White Block-out Spacers; (2) Green, (2) Orange and (2) Red Nylon Males.

LMPPER-10

Male Processing Package, Extended Range (10 pack)

Includes: (10) Denture Caps assembled with Black Processing Males; (10) White Block-out Spacers; (10) Green, (10) Orange and (10) Red Nylon Males.



LRM-G

Extended Range Replacement Male (green)

Retention: 4lbs, 4 pack



LRM-O

Extended Range Replacement Male (orange)

Retention: 2lbs, 4 pack



LRM-R

Extended Range Replacement Male (red)

Retention: 1lb, 4 pack



LRM-Z

Extended Range Replacement Male (gray)

Retention: 0lb, 4 pack



LRM-C

Replacement Male (clear)

Retention: 5lbs, 4 pack



LRM-P

Replacement Male (pink)

Retention: 3lbs, 4 pack



LRM-B

Replacement Male (blue)

Retention: 1.5lb, 4 pack



LBPRM

Black Processing Replacement Male

4 pack



LFA-4MM

Female Analog 4mm

Use for 3.0, 3.5 and 4.5mm platforms
4 pack



LFA-5MM

Female Analog 5mm

Use for 5.7mm platform
4 pack



LSDT-15MM

Square Drive Tool (15mm length)

Use with a torque wrench to seat Locator Abutments.



LSDT-21MM

Square Drive Tool (21mm length)

Use with a torque wrench to seat Locator Abutments.



LIC

Impression Coping

4 pack



LPP

Parallel Post

4 pack



LAMG

Angle Measurement Guide

Locator R-Tx Abutments & Components
















Locator R-Tx is a better, simpler and stronger system that relies on the same restorative techniques as the original Locator. Now available with the housing cap, spacer and retentive inserts for a convenient all-in-one package.

Locator R-Tx Abutments

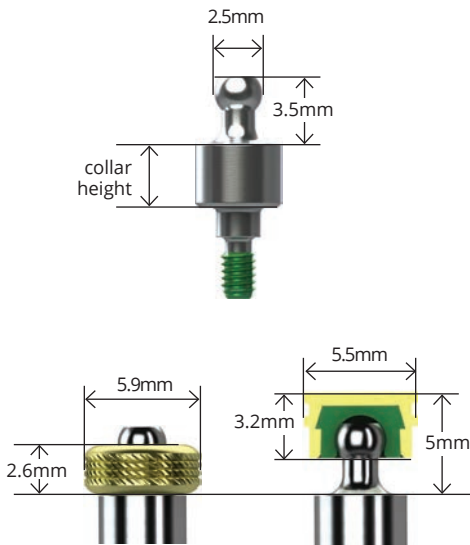
3.0mm platform	3.5mm platform	4.5mm platform	5.7mm platform	
-	PYLRTX0	PGLRTX0	-	0.5mm cuff height
TP3LRTX1	PYLRTX1	PGLRTX1	PBLRTX1	1mm cuff height
TP3LRTX2	PYLRTX2	PGLRTX2	PBLRTX2	2mm cuff height
TP3LRTX3	PYLRTX3	PGLRTX3	PBLRTX3	3mm cuff height
TP3LRTX4	PYLRTX4	PGLRTX4	PBLRTX4	4mm cuff height
TP3LRTX5	PYLRTX5	PGLRTX5	PBLRTX5	5mm cuff height
TP3LRTX6	PYLRTX6	PGLRTX6	PBLRTX6	6mm cuff height

Each Assembly includes: (1) Abutment, (1) Denture Attachment Housing with Black Processing Insert, (4) Nylon Retention Inserts, and (1) Block-out Spacer. Titanium alloy. Final torque: 30Ncm.

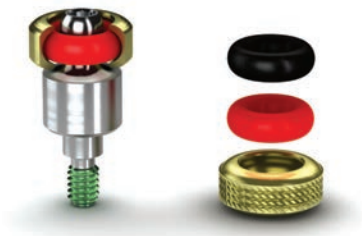
Locator R-Tx Components

	LRTX-GY	Retention Insert (gray) Retention: Zero, 4 pack		LRTX-PM	Processing Insert Replacement 4 pack
	LRTX-B	Retention Insert (blue) Retention: Low, 4 pack		LRTX-PS	Processing Spacer Replacement 4 pack
	LRTX-P	Retention Insert (pink) Retention: Medium, 4 pack		LRTX-IC	Impression Coping 4 pack
	LRTX-C	Retention Insert (clear) Retention: High, 4 pack		LRTX-A3	3.35mm Abutment Analog 4 pack
	LRTX-BS	Block-Out Spacer Replacement 20 pack		LRTX-A4	4mm Abutment Analog 4 pack
	LRTX-DC	Denture Attachment Processing Assembly 4 pack		LRTX-A5	5mm Abutment Analog 4 pack
	LRTX-TL	Locator R-Tx Insertion/Removal Tool			

Ball Abutments & Components



Sizing comparison of O-ring Attachment and Ball Attachment



Ball Abutments

1mm collar	3mm collar	5mm collar	
TP3BA1	TP3BA3	TP3BA5	3.0mm platform
PYBA1	PYBA3	PYBA5	3.5mm platform
PGBA1	PGBA3	PGBA5	4.5mm platform
PBBA1	PBBA3	-	5.7mm platform

Use for retention of tissue-supported overdentures. Ball Abutments may be used for indirect transfer impressions. Ball Abutment Analogs on following page are used for producing a working cast. Can also be used with tissue-level implants. Titanium alloy. Final torque: 30Ncm using an .050" (1.25mm) hex driver.



L02015-014 Ball abutment impression technique

L02015-033 Ball abutment overdenture: chairside pickup using existing denture

O-ring Attachment Set

260-100

O-ring Attachment Set

Standard O-ring attachment for processing into denture. Includes: (1) O-ring encapsulator, (2) Processing O-rings and (2) Clinical O-rings. Recommended for relatively parallel implants (5° of divergence or 10° between implants).

O-ring Individual Components

260-300

O-ring Encapsulator

Female receptacle processed into denture. Titanium alloy. 2 per package.

260-220

Processing O-ring

Use for lab processing applications. Buna. 12 per package.

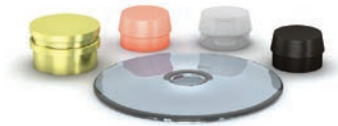
260-210

Clinical O-ring

Use for clinical applications. Silicone. 12 per package.

Ball Abutment Components

Ball Attachment Set



BCAS

Ball Attachment Set

Includes: (1) Titanium Housing, (3) Female Nylon Inserts - white (more retention), pink (less retention), black (lab processing) and (1) Protective Disk (BCPD, protects tissue during impression making or denture pick-up)

The Ball Attachment system offers several advantages over traditional O-ring attachments:

- Greater abutment angulation (14° of divergence or 28° between implants)
- 0.4mm of less mesial/distal/buccal/lingual space
- Four different levels of retention instead of one

Ball Abutment Components



BCAHT

Attachment Housings - Titanium

For Resin pickup or Soldering
2 pack



BCIY

Yellow Nylon Insert

Retention: 500-550g (Very elastic)
2 pack



BCIB

Black Nylon Insert

Lab Processing and Chair-side
Denture Pick-up. 2 pack



BCIP

Pink Nylon Insert

Retention: 800-950g (Elastic)
2 pack



BCIW

White Nylon Insert

Retention: 1200-1300g (Slightly elastic)
2 pack



BCIG

Green Nylon Insert

Retention: 350-400g (Extremely elastic)
2 pack



BCDR

Directional Rings

Use for obtaining parallelism
0°, 7° and 14° rings. Set of 3



BCIST

Insert Seating Tool

Use to seat nylon inserts in
attachment housings.



BCR

Reamer

Use to adjust retention of
nylon inserts.

Ball Abutment Analogs



TP3BAA

3.0mm platform

PYGBAA

3.5/4.5mm platform

PBBAA

5.7mm platform

Use at lab to represent the Ball Abutment/Implant assembly in the working cast. Only use in conjunction with Ball Abutments. Titanium alloy.

Prosthetic Instrumentation



Prosthetic Kit

PROS3000

Enhanced Prosthetic Instrumentation Kit

Includes:

- .050" (1.25mm) Manual Hex Driver
- .050" (1.25mm) Manual Hex Driver, Long
- .050" (1.25mm) Handpiece Hex Driver
- .050" (1.25mm) Handpiece Hex Driver, Long
- .050" (1.25mm) 4mm Square Hex Driver
- .050" (1.25mm) 4mm Square Hex Driver, Long
- Hand Wrench
- 4mm Square Drive Extender
- 4mm Square Multi-unit Hex Adapter
- 12 Try-in Abutment Slots
- 8 Optional Instrument Slots
- Space for Torque Wrenches & AS123 Hand Unit

Multi-unit Try-in Abutments, 300-100 and ATW are sold separately.



PROS2500

Prosthetic Instrumentation Tray (not shown)

Tray without instruments (included with PROS3000)

PROS1500

Prosthetic Tray, Small



300-100†

AS123 Hand Unit

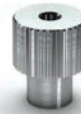
Provides improved vision and easy access to prosthetic components in posterior regions of the mouth. Hand Wrench and Drivers are sold separately.



300-205†

4mm Square Extender

Includes PEEK C-ring for durable retention in Ratchet.



300-400†

Hand Wrench

Use on drive end of AS123 Hand Unit. Also fits individual Hex Drivers/Adapters and Bone Taps.

Torque Wrenches

BIOTORQ

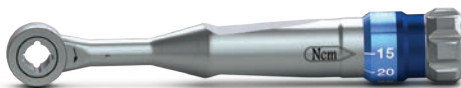
BioHorizons Adjustable Torque Wrench



Adjustable torque wrench designed to attach to all 4mm drivers from BioHorizons. Supplied with a dual direction mechanism that allows for insertion and removal functions. When the desired torque is reached (a choice of 10Ncm to 30Ncm) the torque wrench snaps to avoid over torquing.

ATW

ITL Precise Adjustable Torque Wrench



Place both implants and abutments with 9 distinct torque settings (15, 20, 25, 30, 35, 40, 45, 50 and 60Ncm). A simple twist of the handle locks in precision-engineered torque values and guarantees accuracy and repeatability.

C12374

Elos Adjustable Torque Wrench



Lightweight titanium design is easy to use as an adjustable torque wrench or a ratchet. Quickly disassembles for cleaning. No calibration required.

C8521

Elos Replacement Bit, 4mm Square Adapter

C8381

Elos Replacement Bit, Handpiece



AGYR-15500

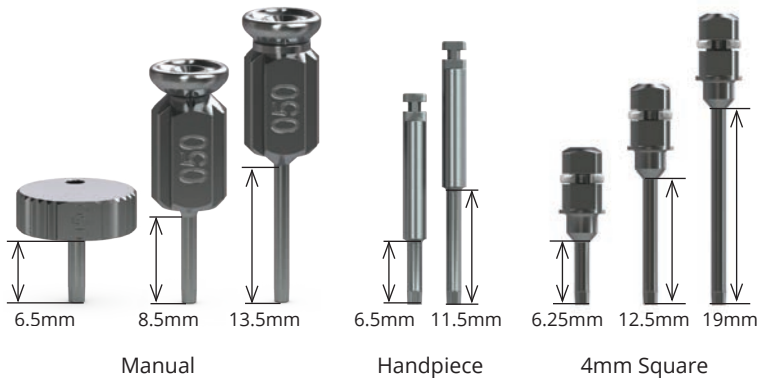
Torque Control 15500

Ergonomic design is the ideal solution for access to screws placed in the posterior. The 7 predetermined torque values (10, 15, 20, 25, 30, 32 and 35Ncm) make it a tool of extreme precision.

† Instrument o-rings & c-rings wear out over time. If an instrument is no longer held securely by its associated driver, order a replacement ring through Customer Care.

Prosthetic Instrumentation

.050" (1.25mm) Hex Drivers



135-251	Manual Hex Driver, Short
135-351	Manual Hex Driver
135-451	Manual Hex Driver, Long

134-350	Handpiece Hex Driver
134-450	Handpiece Hex Driver, Long

300-350 [†]	4mm Square Hex Driver
300-351 [†]	4mm Square Hex Driver, Long
300-354 [†]	4mm Square Hex Driver, Extra Long

For installation and removal of cover caps, prosthetic and abutment screws.

Abutment Prepping Handles



TP3AH	3.0mm platform
PYGAH	3.5/4.5mm platform
PBAH	5.7mm platform

3.0mm platform
3.5/4.5mm platform
5.7mm platform

Use to comfortably hold abutments for chairside or laboratory preparation. Abutments are secured to the handle with a standard abutment screw (PXAS). Comes in three sizes: 3.0, 3.5/4.5 and 5.7mm.

Laser-Lok Protective Sleeves



TP3TBLS	3.0mm platform
PYTBLs	3.5mm platform
PGTBLS	4.5mm platform
PBTBLS	5.7mm platform

3.0mm platform
3.5mm platform
4.5mm platform
5.7mm platform

Use to protect the Laser-Lok zone of Laser-Lok Titanium Base Abutments and Laser-Lok Custom Ti Abutments from possible contamination and damage during lab processing.

Laser-Lok Tissue Groomer



TP3TG	3.0mm platform
PYTG	3.5mm platform
PGTG	4.5mm platform
PBTG	5.7mm platform

3.0mm platform
3.5mm platform
4.5mm platform
5.7mm platform

Use to lightly abrade soft tissue prior to placement of a Laser-Lok abutment, if a Laser-Lok abutment has not been used before.



L02015-003 Handling of Laser-Lok abutments

Clean-out Tool



PXCT [†]

Implant Clean-out Tap Tool

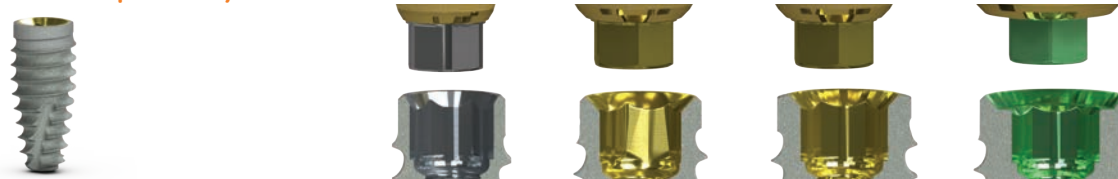
Use PXCT to re-thread internal connection implants where the internal threads have become damaged. Requires a standard surgical Ratchet (130-000) or Hand Wrench (300-400) as a drive mechanism.

[†] Instrument o-rings & c-rings wear out over time. If an instrument is no longer held securely by its associated driver, order a replacement ring through Customer Care.

Prosthetic Platform Identification


BioHorizons prosthetic components are color-coded to match BioHorizons implant prosthetic platforms. To ensure compatibility:
 (1) determine the BioHorizons implant system from the patient's record (e.g. Tapered, Tapered Plus, Tapered Tissue Level)
 (2) verify that the prosthetic component is intended for that system
 (3) match the restorative component color with the implant prosthetic platform.

Tapered Pro Implant System



prosthetic connection	3.0mm	3.5mm	3.5mm	4.5mm
body diameter	3.8mm	4.2mm	4.6mm	5.2mm

Tapered Internal Plus Implant System



prosthetic connection	3.0mm	3.5mm	4.5mm
body diameter	3.8mm	4.6mm	5.8mm

Tapered Internal Implant System



prosthetic connection	3.0mm	3.0mm	3.5mm	4.5mm	5.7mm
body diameter	3.0mm	3.4mm	3.8mm	4.6mm	5.8mm

Tapered Tissue Level Implant System



prosthetic connection	3.5mm	3.5mm	4.5mm	5.7mm
body diameter	3.0mm	3.8mm	4.6mm	5.8mm

Note: BioHorizons Internal prosthetic components are indicated for use with Zimmer Screw-Vent® and Tapered Screw-Vent® implant systems.

Support Materials & References

L02015	Prosthetic Technique Manual (Interactive PDF)
ML0161	Tapered Family Prosthetic Reference
ML0206	Impression Technique Guide (PDF only)
L01021	TeethXpress Technique Guide
EP-TXMOD	TeethXpress Patient Education Model
ML0103	Dental Implants - Patient Education Brochure, 50 pk
ML0131	Dental Implants - Patient Education Flipbook
ML0114	Overdenture Patient Education Brochure, 50 pk
ML0159	Connective Tissue Attachment to Laser - Microgrooved Abutments
ML0160	Reattachment of Connective Tissue Fibers to a Laser - Microgrooved Abutment Surface
SPMP14235	Electronic Dental Implant Patient Record (PDF only)

1. Human histologic evidence of a connective tissue attachment to a dental implant. M Nevins, ML Nevins, M Camelo, JL Boyesen, DM Kim. *International Journal of Periodontics & Restorative Dentistry*. Vol. 28, No. 2, 2008. R11005c
2. The effects of laser microtextured collars upon crestal bone levels of dental implants. S Weiner, J Simon, DS Ehrenberg, B Zweig, JL Ricci. *Implant Dentistry*. Volume 17, Number 2, 2008. p. 217-228. R11010a
3. Influence of a microgrooved collar design on soft and hard tissue healing of immediate implantation in fresh extraction sites in dogs. SY Shin, DH Han. *Clin. Oral Impl. Res.* 21, 2010; 804-814. R11018b
4. Maintaining inter-implant crestal bone height via a combined platform-switched, Laser-Lok® implant/abutment system: A proof-of-principle canine study. M Nevins, ML Nevins, L Gobbato, HJ Lee, CW Wang, DM Kim. *Int J Periodontics Restorative Dent*. Volume 33, Number 3, 2013. R11035a
5. Histologic evidence of a connective tissue attachment to laser microgrooved abutments: A canine study. M Nevins, DM Kim, SH Jun, K Guze, P Schupbach, ML Nevins. *International Journal of Periodontics & Restorative Dentistry*. Vol. 30, No. 3, 2010. R11001a
6. Histologic evidence of connective tissue integration on laser microgrooved abutments in humans. NC Geurs, PJ Vassilopoulos, MS Reddy. *Clinical Advances in Periodontics*. Vol. 1, No. 1, May 2011. R11019c
7. Connective tissue attachment to laser microgrooved abutments: A human histologic case report. M Nevins, M Camelo, ML Nevins, P Schupbach, DM Kim. *Int J Periodontics Restorative Dent*. Volume 32, Number 4, 2012. p. 384-392. R11032c
8. Reattachment of the connective tissue fibers to the laser microgrooved abutment surface. M Nevins, M Camelo, ML Nevins, P Schupbach, DM Kim. *Int J Periodontics Restorative Dent*. Volume 32, Number 4, 2012. e131-134. R11033c
9. The impact of dis-/reconnection of laser microgrooved and machined implant abutments on soft- and hard-tissue healing. IgJhaut G, Becker K, Golubovic V, Schliephake H, Mihatovic I. *Clin Oral Implants Res*. 2013 Apr;24(4):391-7. R21001a
10. Heat production by 3 implant drill systems after repeated drilling and sterilization. Chacon GE, Bower DL, Larsen PE, McGlumphy EA, Beck FM. *J Oral Maxillofac Surg*. 2006 Feb;64(2):265-9. R30003b

Ordering & Warranty Information

Territory Manager: _____

cell phone: _____

email and/or fax: _____

BioHorizons Lifetime Warranty on Implants and Prosthetics for Clinicians: All BioHorizons implants and prosthetic components include a Lifetime Warranty. BioHorizons implant or prosthetic components will be replaced if removal of that product is due to failure (excluding normal wear to overdenture attachments).

Additional Warranties: BioHorizons warranties surgical drills, taps and other surgical and restorative instruments.

(1) Surgical Drills and Taps: Surgical drills and taps include a warranty period of ninety (90) days from the date of initial invoice. Surgical instruments should be replaced when they become worn, dull, corroded or in any way compromised. Surgical drills should be replaced after 12 to 20 osteotomies.¹⁰

(2) Instruments: The BioHorizons manufactured instrument warranty extends for a period of one (1) year from the date of initial invoice. Instruments include drivers, implant site dilators and BioHorizons tools used in the placement or restoration of BioHorizons implants.

Return Policy: Product returns require a Return Authorization Form, which may be acquired by contacting Customer Care. The completed Return Authorization Form must be included with the returned product. For more information, please see the reverse side of the invoice that was shipped with the product.

Disclaimer of Liability: BioHorizons products may only be used in conjunction with the associated original components and instruments according to the Instructions for Use (IFU). Use of any non-BioHorizons products in conjunction with BioHorizons products will void any warranty or any other obligation, expressed or implied.

Treatment planning and clinical application of BioHorizons products are the responsibility of each individual clinician. BioHorizons strongly recommends completion of postgraduate dental implant education and adherence to the IFU that accompany each product. BioHorizons is not responsible for incidental or consequential damages or liability relating to use of our products alone or in combination with other products other than replacement or repair under our warranties.

Distributed Products: For information on the manufacturer's warranty of distributed products, please refer to their product packaging. Distributed products are subject to price change without notice.

Validity: Upon its release, this literature supersedes all previously published versions.

Availability: Not all products shown or described in this literature are available in all countries. BioHorizons continually strives to improve its products and therefore reserves the right to improve, modify, change specifications or discontinue products at any time.

Any images depicted in this literature are not to scale, nor are all products depicted. Product descriptions have been modified for presentation purposes. For complete product descriptions and additional information, visit store.biohorizons.com.

Direct Offices

BioHorizons USA
888-246-8338 or 205-967-7880

BioHorizons Canada
866-468-8338

BioHorizons Spain
+34 91 713 10 84

BioHorizons UK
+44 (0)1344 752560

BioHorizons Chile
+56 (2) 23619519

BioHorizons Italy
800-063-040

BioHorizons Mexico
800-953-0498

Distributors

For contact information in our 90 countries, visit biohorizons.com



shop online at
store.biohorizons.com

BioHorizons®, Laser-Lok®, MinerOss®, AutoTac®, Mem-Lok®, TeethXpress®, IntraSpin®, L-PRF® and Xpression® are registered trademarks of BioHorizons. Genate™ is a trademark of BioHorizons. Unigrip™ is a trademark of Nobel Biocare AB. Zimmer® Dental ScrewVent® and Tapered ScrewVent® are registered trademarks of Zimmer, Inc. AlloDerm SELECT™, AlloDerm SELECT GBR™ and NovoMatrix™ are trademarks of Allergan, an AbbVie company. Grafton® DBM is a registered trademark of Medtronic, Inc. Cytoplast® is a registered trademark of Osteogenics Biomedical, Inc. Puros Dermis is a registered trademark of Zimmer Biomet. Mucograft is a registered trademark of Ed. Geistlich Sogne AG Fur Chemische Industrie. Symbios PerioDerm is a registered trademark of Dentsply Sirona. Hu-Friedy® is a registered trademark of Hu-Friedy Mfg. Co., LLC. Spiralock® is a registered trademark of Spiralock Corporation. Pomalux® is a registered trademark of Westlake Plastics Co. Locator® is a registered trademark of Zest Anchors, Inc. Delrin® is a registered trademark of E.I. du Pont de Nemours and Company. Bio-Gide® is a registered trademark of Edward Geistlich Sohne AG Fur Chemische Industrie. BioMend® is a registered trademark of Zimmer Biomet Dental. Not all products shown or described in this literature are available in all countries. We are proud to be registered to ISO 13485:2016, the international quality management system standard for medical devices, which supports and maintains our product licences with Health Canada and in other markets around the globe. Original language is English. ©BioHorizons. All Rights Reserved.



L02008



REV L SEP 2022